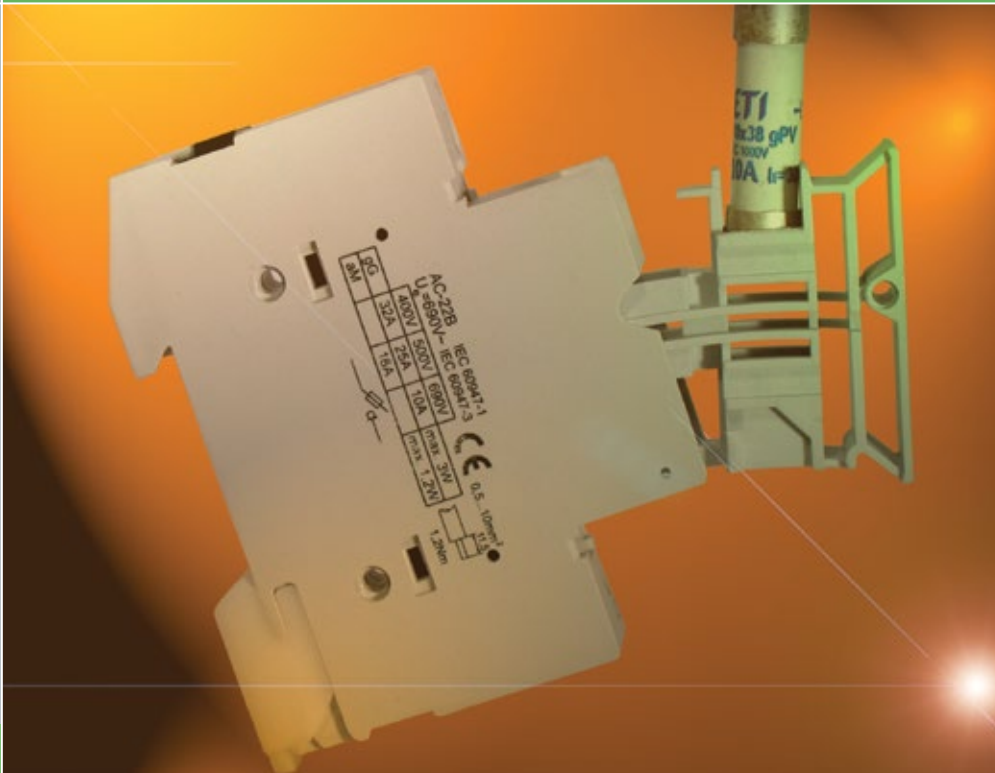


GREEN PROTECT

DC - distribution and protection components	5
Cylindrical fuse-links	7
Photovoltaic fuseholders for cylindrical fuse-links	14
Accessories for cylindrical fuses	20
NH fuse -links	21
NH fuse bases	40
NH photovoltaic fuseholders	47
Lightning and Surge Arresters	52
Switch disconnecter	64
Distribution boards	72
Ready made DC-junction boxes	73
AC - distribution and protection components	81
Solutions	88
Design on customer's request	91
Overcurrent and Overvoltage Protection for Wind Power Generation	94

PROTECTION OF PV SYSTEMS





PROTECTION OF PHOTOVOLTAIC SYSTEMS

ETI provides high-quality solutions for the complete overcurrent and overvoltage protection of applications in the field of photovoltaic and other renewable energy sources.

Our products are designed for complete protection of:

- DC circuits (overvoltage protection and reverse current protection)
- circuits inside DC/AC inverters (semiconductor protection)
- AC circuits between the inverter and the power grid (overvoltage, overcurrent and anti-islanding protection).

The products are internationally certified and carry several quality marks.

Protection of photovoltaic systems

DC - distribution and protection components

Introduction

Photovoltaic systems are composed by photovoltaic panels, cables, fuses, switches, overvoltage arresters and power inverter. Photovoltaic panels utilise the power of sun light to convert photons to DC current.

Electricity generated by solar panels is then fed into a power inverter that converts DC current to AC current. gPV fuse has been developed to protect cable and panel against "reverse" overcurrent.

ETITEC B, C-PV series of over voltage surge protective devices has been developed to protect against direct and indirect lightning discharges and is intended to protect photovoltaic systems.

The circuit topology consists of two varistors stages each protected by a thermal disconnection device.

Overcurrent protection

■ PV module protection from »DC REVERSE« current on DC side Array with three or more strings of panels:

PV systems that have three or more strings connected in parallel need to have each string protected by fuses.

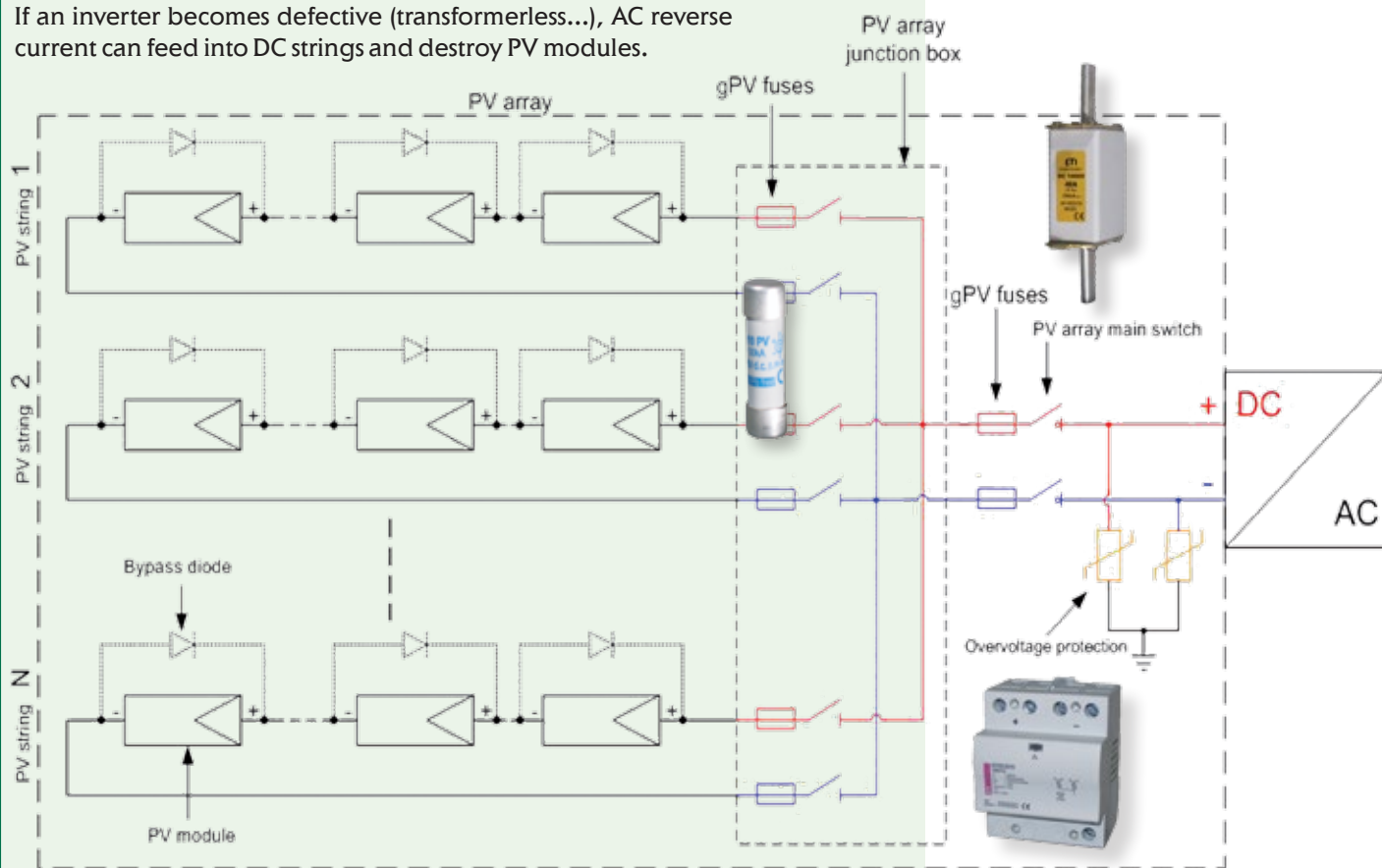
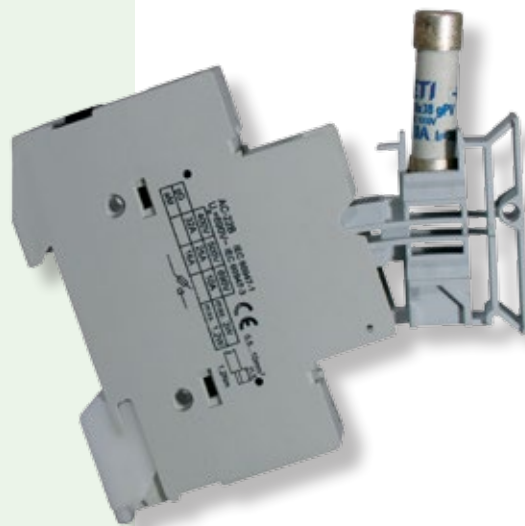
Systems that have less than three strings will not generate enough fault current to damage the conductors/solar panels.

Normally there are two gPV fuses connected on each string (+ and - pole), that protect conductors/solar panels from damage and eliminate any safety hazards.

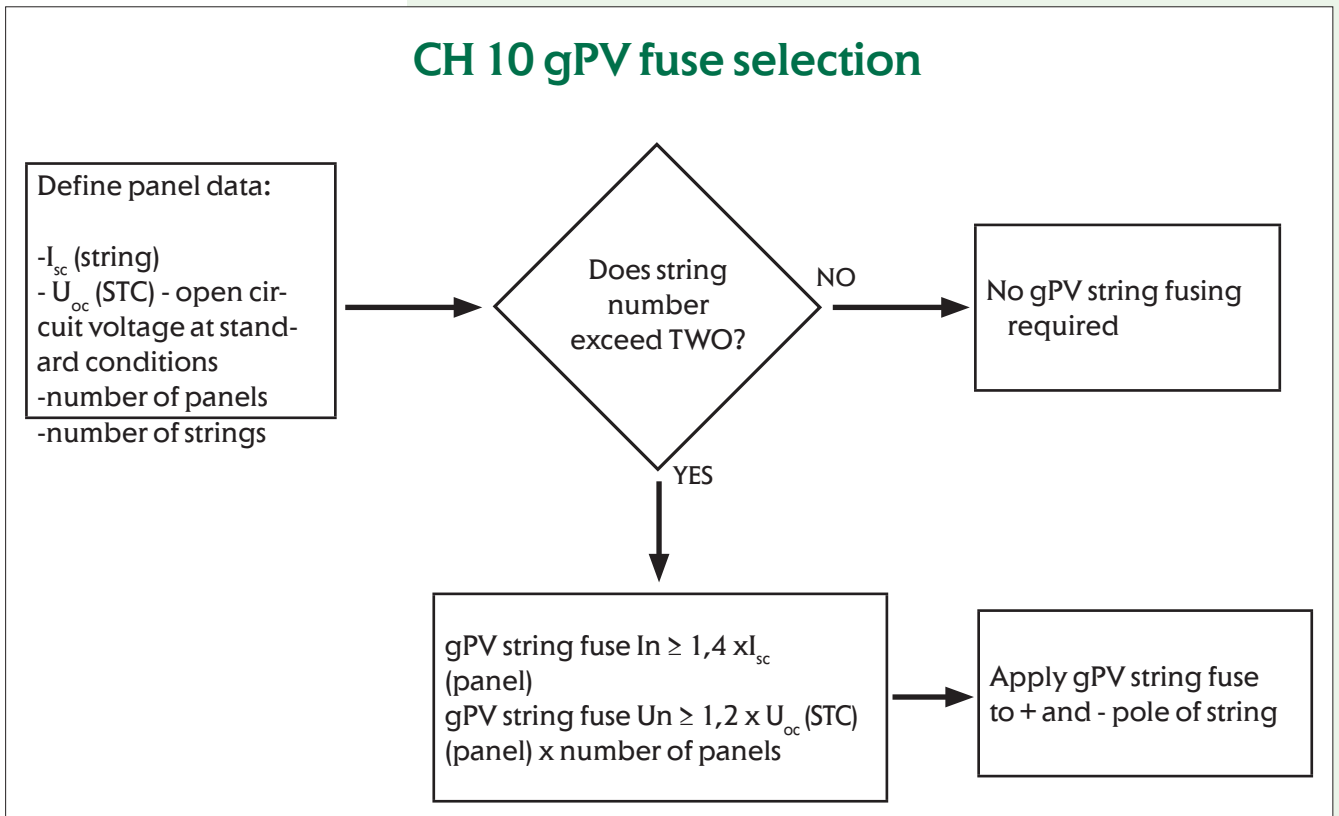
Fuses isolate the faulted string. The rest of PV system can continue to generate electricity.

■ PV module protection from »AC REVERSE« current caused by defective inverter

If an inverter becomes defective (transformerless...), AC reverse current can feed into DC strings and destroy PV modules.

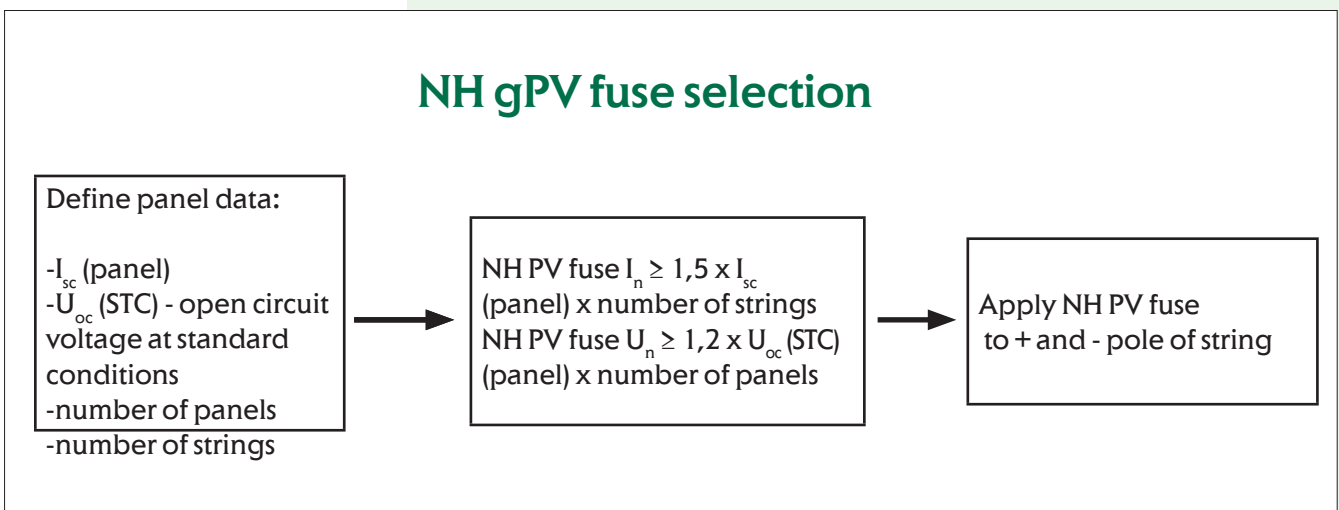


CH 10 gPV fuse selection



Derating factor 1,4 is defined for ambient temperature max. 45 °C .
 Cable cross-section derating factor is not included!

NH gPV fuse selection



Derating factor 1,5 is defined for ambient temperature max. 45 °C
 Cable cross-section derating factor is not included!

ETI as one of the most important European producer of overcurrent protection equipment and devices participating in many working groups for standards development at International Electrotechnical Commission (IEC). ETI is member of maintenance team MT9 belonging to the 32B group, working on the part 6 of the IEC 60269 dealing with supplementary requirements for fuse-links for the overcurrent protection of solar photovoltaic energy systems.

gPV fuse link must be selected acc. standard IEC 62548

CH 10 gPV 1000V - Fuse-links

General characteristics UL file: E347771

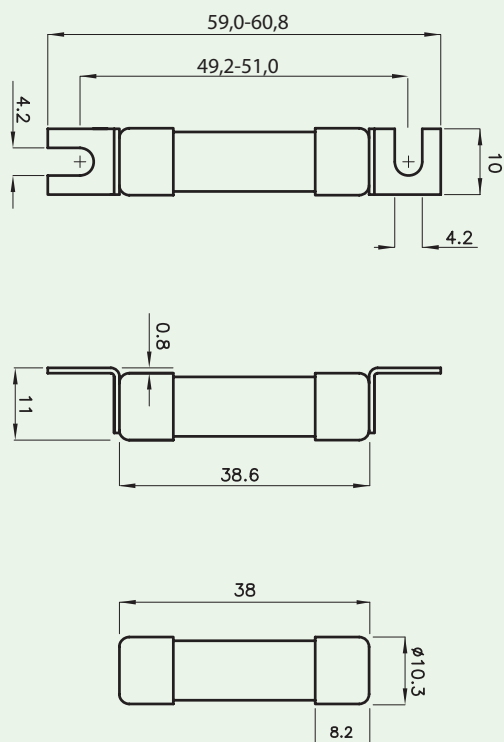
Rated voltage	1000V d.c. L/R=2ms
Breaking capacity	10kA d.c. / 30kA d.c.
Standards	UL 2579, UL 248-1
Application	For protection of photovoltaic modules.



CH 10x38 gPV

Size	I_n [A]	Code No. "standard contacts" 10kA UL	Code No. "standard contacts" 30kA IEC	Code No. "type SU contacts" 30kA IEC	Pre-arcing Joule integral [A ² s] L/R=2ms	Operating Joule integral [A ² s] L/R=2ms	Power dissipation [0,7 x I _n] ² P _d [W]	Power dissipation [I _n] ² P _d [W]	Weight [g]	Packaging [pcs]
10 x 38	0,5		002625134	002625131	0,016	0,068	0,2	0,52	10/12	10/500 SU:10/380
	1		002625138	002625129	1,5	3	0,42	1,0		
	2	002625101	002625065	002625115	1,7	2,3	0,47	1,12		
	3	002625100	002625067	002625113	2,8	5,4	0,65	1,6		
	3,5	002625135	002625068	002625127	2,5	7	0,57	1,4		
	4	002625102	002625069	002625116	3,9	11,7	0,52	1,25		
	5	002625111	002625070	002625124	8	21	0,63	1,49		
	6	002625103	002625071	002625117	10,6	34,6	0,73	1,75		
	7	002625110	002625072	002625114	16	60	0,74	1,74		
	8	002625104	002625073	002625118	17	65	0,8	1,9		
	10	002625105	002625075	002625119	8,3	33	0,97	2,4		
	12	002625106	002625077	002625120	22	73	0,8	1,9		
	13	002625137	002625078	002625128	21	70	1,0	2,3		
	14	002625136	002625079	002625126	28	92	1,3	3,0		
	15	002625112	002625080	002625125	49	145	1,0	2,2		
	16	002625107	002625081	002625121	48	147	1,1	2,6		
	20	002625108	002625085	002625122	86	245	1,3	3,2		
25*		002625109	002625123	125	289	1,65	4,1			
25		002625139	002625140	110	470	1,65	4,1			

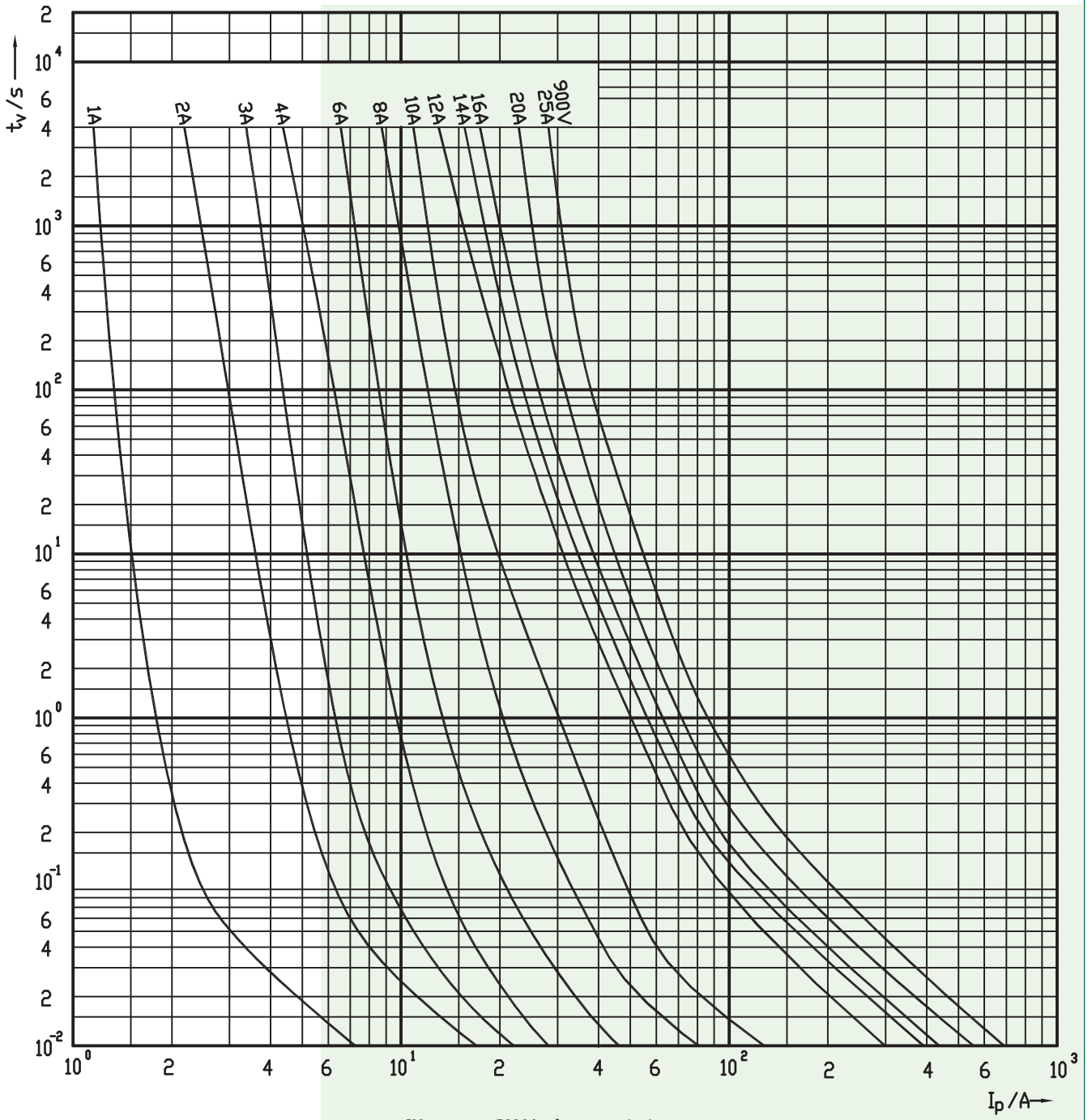
* 900V d.c.



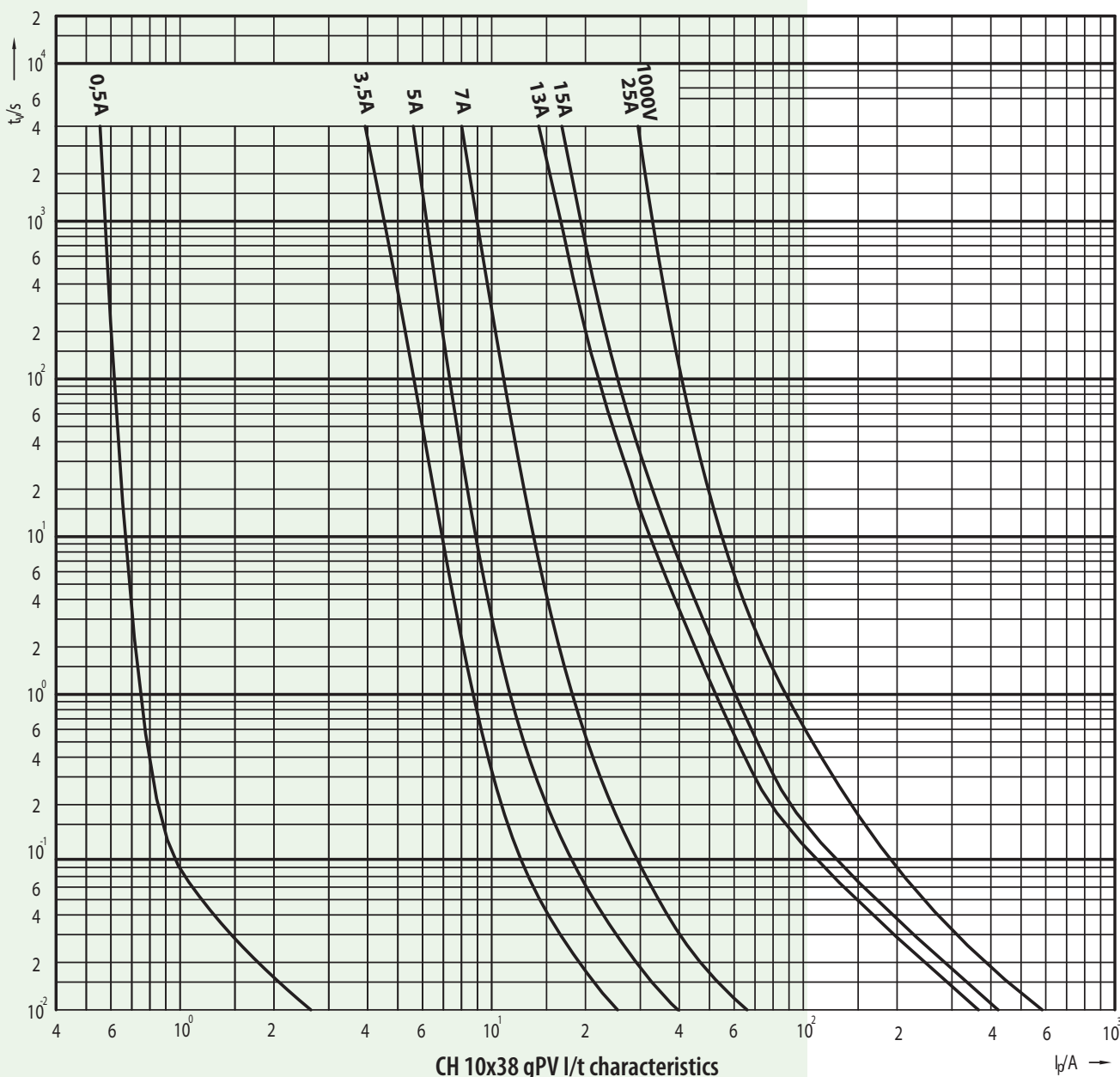
Standard Contacts



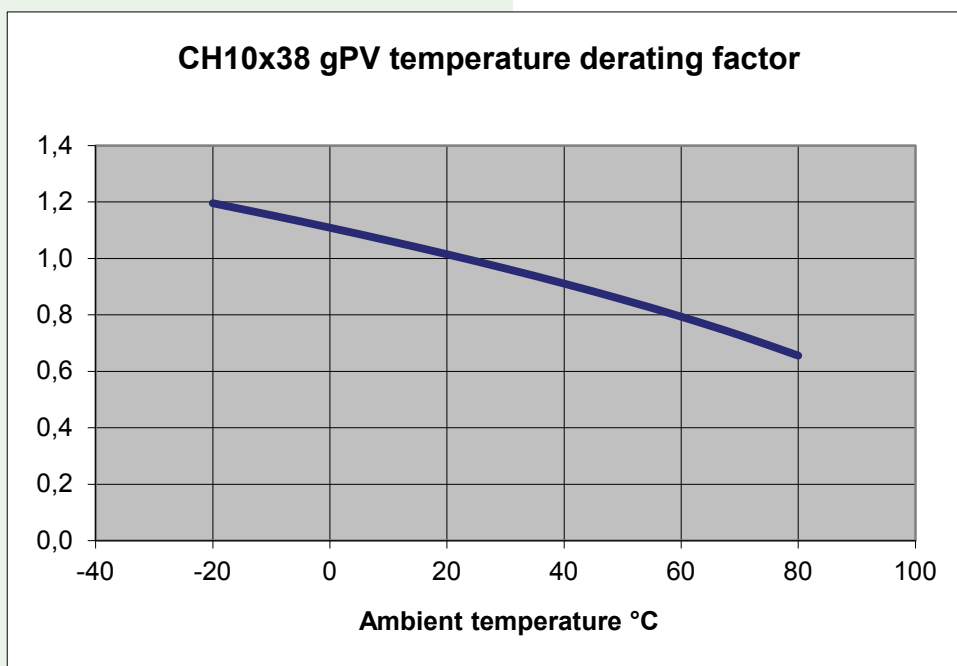
Type SU Contacts



CH 10x38 gPV I/t characteristics



Tamb (°C)	A1
-20	1,196
-10	1,153
0	1,109
10	1,063
20	1,015
30	0,964
40	0,911
50	0,854
60	0,794
70	0,728
80	0,656



CH 10x85 gPV 1500V - Fuse-links



General characteristics

UL file: E347771

Rated voltage	1500V d.c. L/R=2ms
Breaking capacity	10kA d.c. / 30kA d.c.
Standards	UL 2579, UL 248-1
Application	For protection of photovoltaic modules.

CH 10x85 gPV

Size	I_n [A]	Code No. "standard contacts" 10kA UL	Code No. "standard contacts" 30kA IEC	Code No. "type SU contacts" 30kA IEC	Pre-arcing Joule integral [A ² s] L/R=1ms	Operating Joule integral [A ² s] L/R=1ms	Power dissipation [0,7 x I _n] ² P _d [W]	Power dissipation [I _n] ² P _d [W]	Weight [g]	Packaging [pcs]
10 x 85	2		002625200	002625210	1,5	2,1	1,0	2,4	15/17	10/210 SU:10/160
	4	002625201	002625274	002625211	10,2	15,1	1,1	2,7		
	5	002625239	002625276	002625209	10,6	33,2	1,2	3,0		
	6	002625202	002625277	002625212	23,3	50,4	1,2	3,0		
	8	002625203	002625279	002625213	46	109	1,5	3,6		
	10	002625204	002625280	002625214	63	191	1,6	3,7		
	12	002625205	002625282	002625215	24	118	1,4	3,3		
	15	002625240	002625285	002625219	40,6	161	1,4	3,6		
	16	002625206	002625286	002625216	35	164	1,6	3,7		
	20*	002625207	002625287	002625217	39	209	1,7	4,0		
	20		002626234		38,6	431,3	2	4,8		
	25*	002625208	002625288	002625218	72	504	2,1	5,2		

* 1200V d.c.

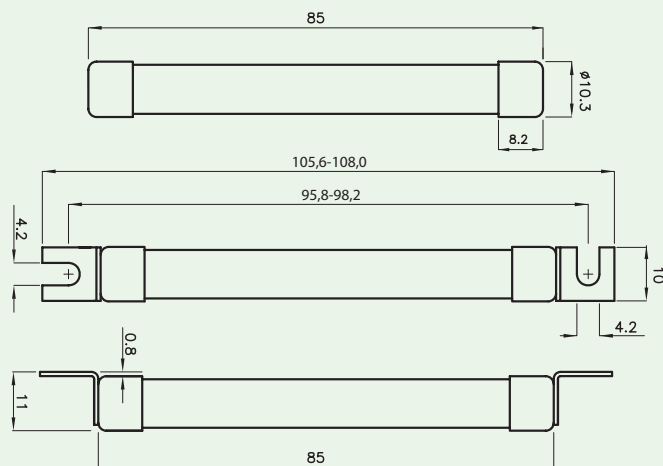
** 25A and 30A 1500V d.c. fuse links are currently being developed, for more information, please contact our sales

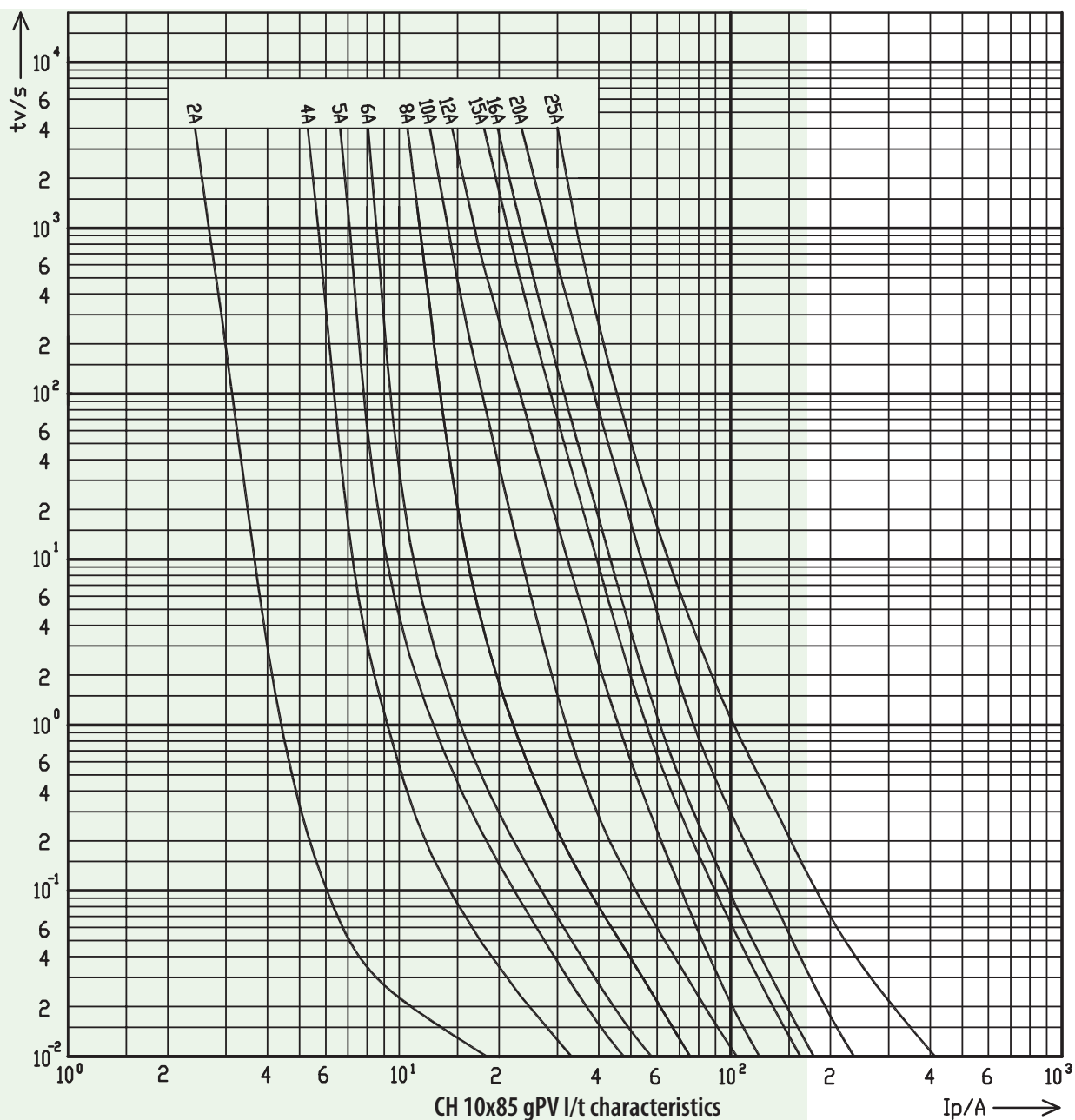


Type SU Contacts

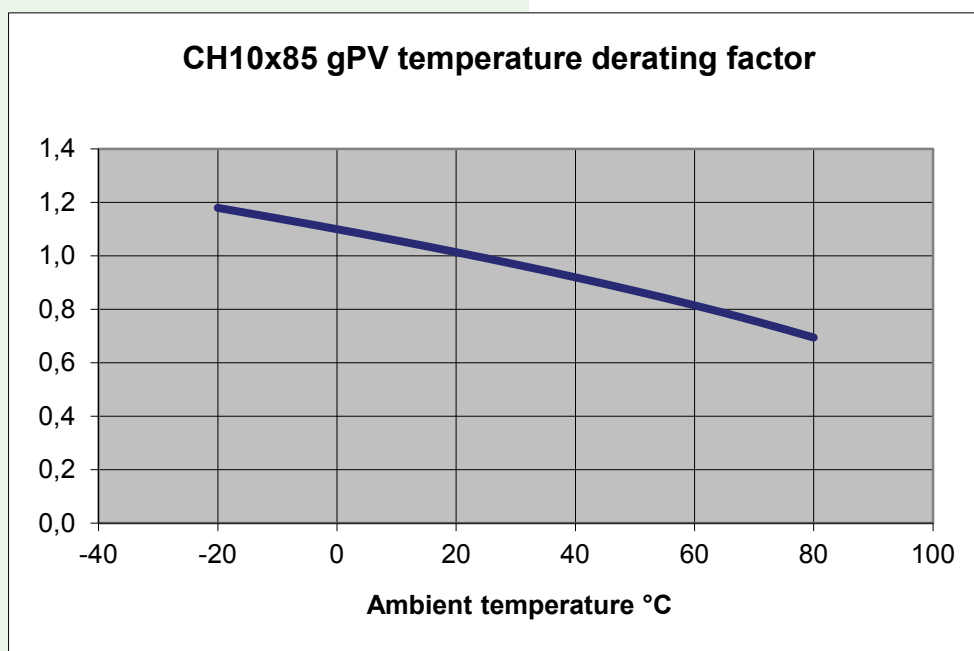


Standard Contacts





Tamb (°C)	A1
-20	1,179
-10	1,140
0	1,100
10	1,057
20	1,014
30	0,968
40	0,919
50	0,869
60	0,815
70	0,757
80	0,694



CH 14x51 gPV 1000V, 1100V - Fuse-links



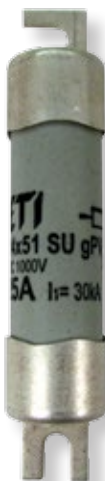
General characteristics

Rated voltage	1000V d.c. L/R=2ms (1100V d.c. for 002637185)
Breaking capacity	10kA d.c. (30kA d.c. for 002637185)
Standards	IEC 60269-6 ed 1.0 (2010-9)
Application	For protection of photovoltaic modules

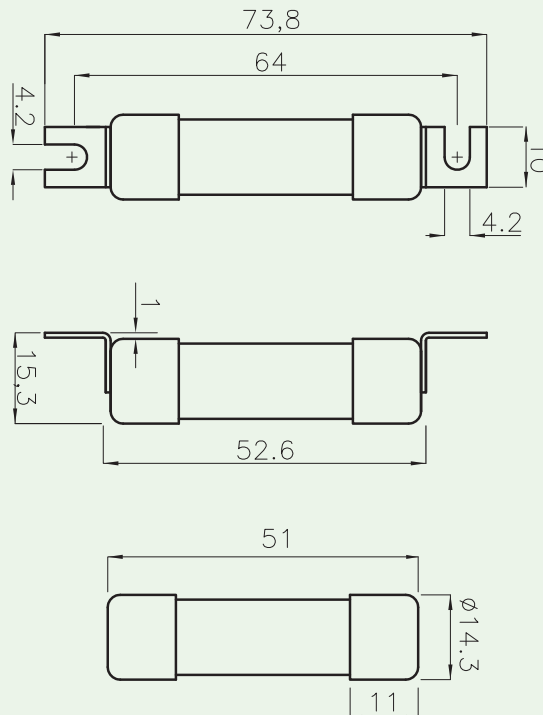
CH 14 gPV									
Size	I_n [A]	Code No. "standard contacts"	Code No. "type SU contacts"	Pre-arcing Joule integral [A ² s] L/R=2ms	Operating Joule integral [A ² s] L/R=2ms	Power dissipation [0,7 x I _n] P _d [W]	Power dissipation [I _n] P _d [W]	Weight [g]	Packaging [pcs]
14x51	16	002637105		55	155	1,4	3,1	18,6	10/200
	16		002637305	55	155	1,4	3,1	20,6	10/260
	16	002637185*		55	220	1,4	3,1	18,6	10/200
	20	002637107		130	330	1,5	3,2	18,7	10/200
	20		002637307	130	330	1,5	3,2	20,7	10/260
	25	002637109		180	360	2	4	18,7	10/200
	25		002637309	180	360	2	4	20,7	10/260
	32	002637111		297	1290	2,1	5,1	18,9	10/200
	32		002637311	297	1290	2,1	5,1	20,9	10/260
	36	002637115		450	1190	2,3	5,6	18,9	10/200
36		002637315	450	1190	2,3	5,6	20,9	10/260	

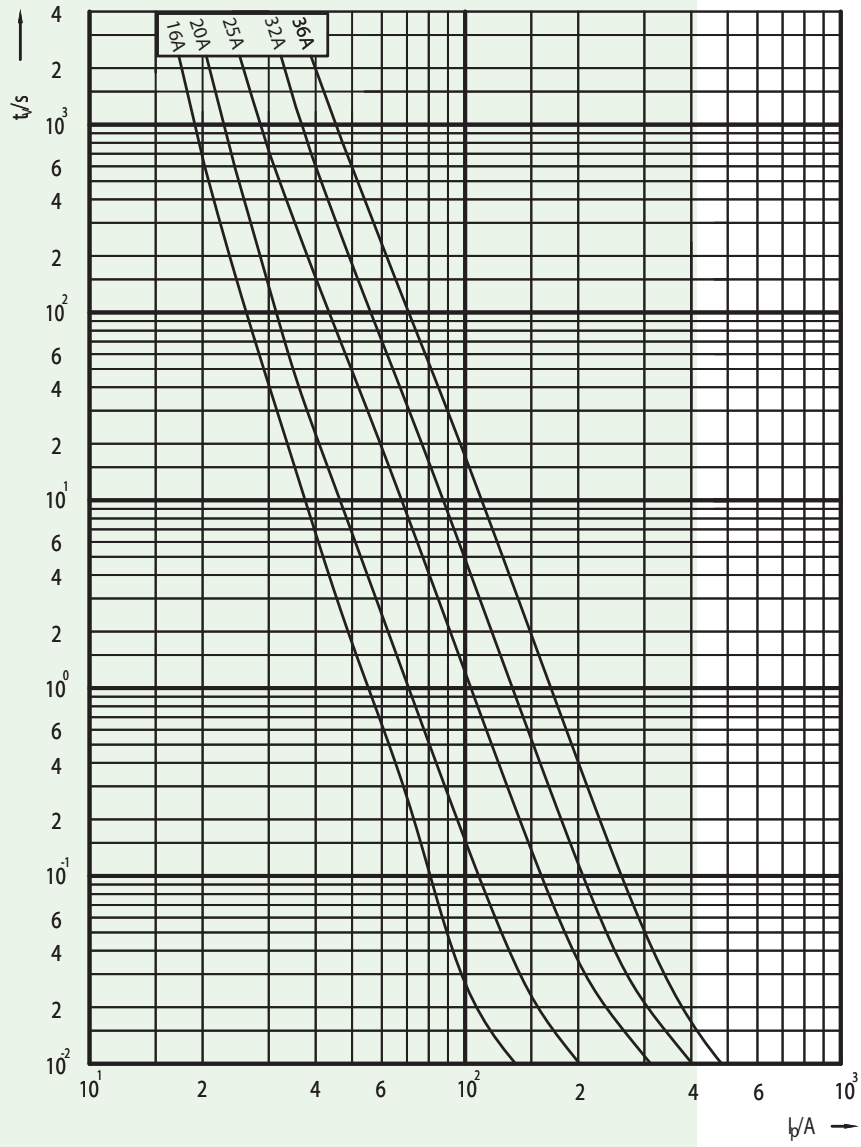
*Rated voltage: 1100V d.c. L/R=2ms
Breaking capacity: 30kA d.c.

Power dissipation is measured on an open fuse base, according to the requirements of IEC 60269-6.



Type SU Contacts

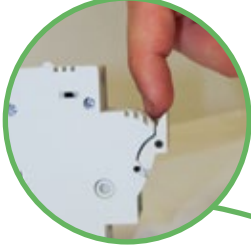




CH 14 PV I/t characteristics

Advantages of photovoltaic fuseholder EFH

→ More space for finger to open fuse carrier



→ Complete protection against touch according to IP20



→ All plastic parts are made of material resistant to extremely high temperatures. Fuse carrier assures that a fuse link is not in touch with a housing

→ For both sizes a **version with electronic indicator** is available. Marked with **L (LED)**, the EFH has a built-in LED diode which blinks after the fuse-link operates. Operating voltage ranges from 50V to 1000V d.c.



→ Compliance with IEC 60947-1, IEC 60947-3, UL 4248-1, UL 4248-18, and UL 486E



→ Mounting on standard DIN 35 mm rail (DIN EN60715)

→ All contact surfaces are silver plated



→ Possibility of sealing in ON or OFF positions



→ Modular design – it is possible to assemble multi-pole versions at the building site

EFH 10 DC - Photovoltaic fuseholder

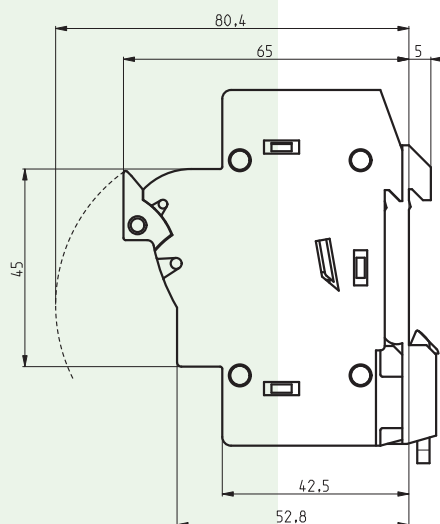
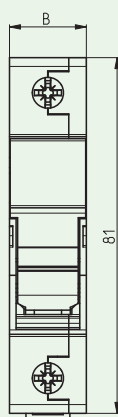
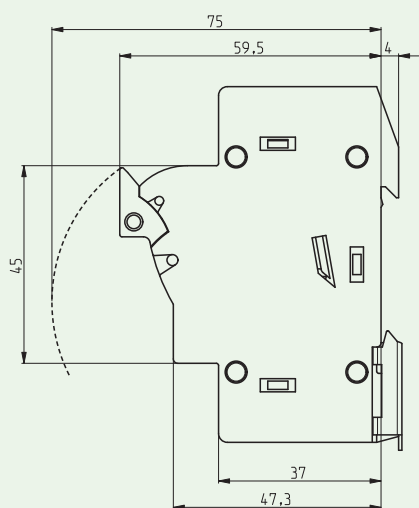
General characteristics

Rated voltage	1000V d.c.
Rated current	max. 25A
Max. fuse link power dissipation	3 W
Cross section of connecting wire	1 mm ² - 25 mm ²
Pole build-in width	17,5 mm
Mounting on the rail	EN 60715 - 35mm rail
Utilization category	DC-20B (Do not operate under load)
Rated torque	2Nm
Standards Fuse-links	IEC/EN 60269-2, IEC/EN 60269-6, UL 284-4
Standards - Fuse holder	IEC 60947-1, IEC 60947-3, UL 4248-1, UL 4248-18, UL 486E, CSA C22.2 No.65



EFH 10 DC

Number of poles	U _e /U _i [V]	I _{max} [A]	Code No.	Indicator	Adapter	Weight [g]	Packaging [pcs]	
1 p	1000V d.c.	25A	002540201	-	-	63	12/108	
			002540211	LED	-	64		
			002540501	-	✓	68		
			002540511	LED	✓	69		
2 p		25A	002540203	-	-	124		6/54
			002540213	LED	-	125		
			002540503	-	✓	134		
			002540513	LED	✓	135		



Version with adapter

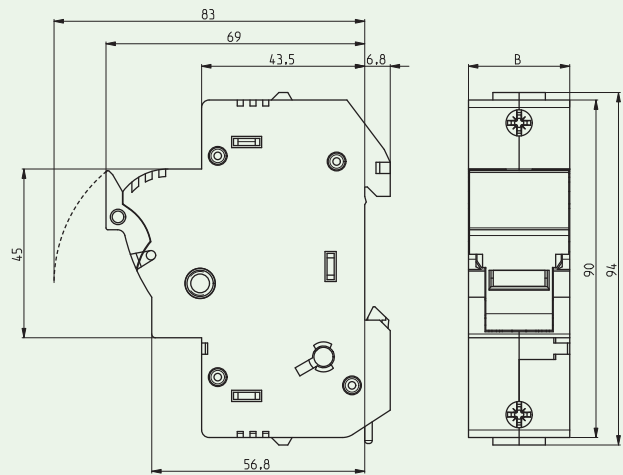
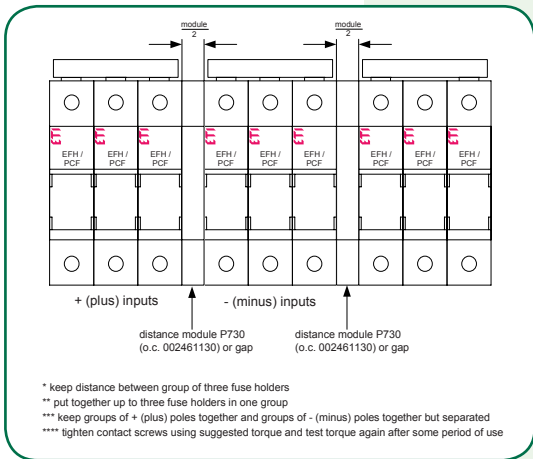
Type	Dimensions [mm]
	B
1 pole	17,5
2 pole	35

EFH 14 DC - Photovoltaic fuseholder



General characteristics	
Rated voltage	1000V d.c., 1100V d.c.
Rated current	max. 50A
Max. fuse link power dissipation	5 W
Cross section of connecting wire	1,5 mm ² - 35 mm ²
Pole build-in width	27 mm
Mouting on the rail	EN 60715 - 35mm rail
Utilization category	DC-20B (Do not operate under load)
Rated torque	2,5 - 3Nm
Standards Fuse-links	IEC/EN 60269-2, IEC/EN 60269-6, UL 284-4
Standards - Fuse holder	IEC 60947-1, IEC 60947-3, UL 4248-1, UL 4248-18, UL 486E, CSA C22.2 No.65

EFH 14 DC						
Number of poles	U _e /U _i [V]	I _{max} [A]	Code No.	Indicator	Weight [g]	Packaging [pcs]
1 pole	1000V d.c.	50A	002560201	-	102	12/96
			002560211	LED	103	
2 pole		50A	002560203	-	206	6/48
			002560213	LED	208	
1 pole	1100V d.c.	50A	002560206*	-	102	12/96
			002560214*	LED	103	
2 pole		50A	002560207*	-	206	6/48
			002560215*	LED	208	



Type	Dimensions [mm]
	B
1 pole	27
2 pole	54

Technical specifications for photovoltaic fuseholder

Technical data				
	EFH 10 DC		EFH 14 DC	
Fuse type	CH 10x38 PV		CH 14x51 PV	
	IEC	UL	IEC	UL
Versions	Without indicator, LED indicator			
Number of poles	1p, 2p			
Rated operational voltage Ue	1000V d.c.			
Rated operational current Ie	25A		50A	
Rated conditional short-circuit current	30kA	10kA	30kA	10kA
Rated insulation voltage Ui	1000V		1000V	
Rated imp. withstand voltage Uimp	8kV		8kV	
Required insulation temperature rating	60°C		60°C	
Max power dissipation of the fuse-link (W)	3W		5W	
Derating factor of current In for different ambient temperatures	20°	1		
	30°	0,95		
	40°	0,9		
	50°	0,8		
	60°	0,7		
	70°	0,5		
Derating factor of current In for side by side mounting fuse holders (nr. of poles)	1-4	1		
	5-6	0,8		
	7-9	0,7		
	≥10	0,6		
LED indicator operating range	80V-1000V d.c.			
Utilization category	DC-20B (Do not operate under load)			
Operational performance (cycles with current)	0		0	
Operational performance (cycles without current)	2000		2000	
Inclined Plane Tracking (IPT)	60min at 1kV		60min at 1kV	
Humidity	90% at 20°C		90% at 20°C	
Operating ambient temperature	-5°C ... +40°C		-5°C ... +40°C	
Store ambient temperature	-25°C ... +55°C		-25°C ... +55°C	
Degree of protection (IEC 60529)	IP 20		IP 20	
Terminal capacity	1-25mm ²	AWG 18-8 solid&stranded Cu only	1,5-35mm ²	AWG 16-6 solid&stranded Cu only
Screw	PZ M5	PZ M5	PZ M5	PZ M5
Torque	2Nm	2Nm 17,7 lb-in	2,5-3Nm	2Nm 17,7 lb-in
Mounting on EN 60715 rail	35mm rail			
Sealing possibility	ON and OFF			
Standards - fuse links	IEC/EN 60269-2 IEC/EN 60269-6 UL 284-4	IEC/EN 60269-2 IEC/EN 60269-6 UL 284-4	IEC/EN 60269-2 IEC/EN 60269-6 UL 284-4	UL 248-4 IEC/EN 60269-2
Standards - fuse holders	IEC 60947-1 IEC 60947-3	UL 4248-1 UL 4248-18 UL 486E CSA C22.2 No.65	IEC 60947-1 IEC 60947-3	UL 4248-1 UL 4248-18 UL 486E CSA C22.2 No.65
Test reports	Int		UL	
Certificates	UL Listed		UL Listed	

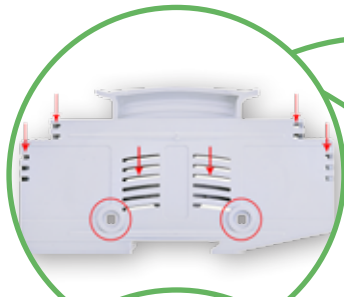
NEW EFH 10/14x85 PV fuseholder

Advantages of photovoltaic fuseholder EFH 10/14x85

→ Compliance with IEC 60947-1, IEC 60947-3, UL 4248-1, UL 4248-19, IEC 60269-1, IEC 60269-6



→ Flexible fuse carrier for easy replacement of the fuse link



→ For better cooling, the housing has special ventilation slots. And also there are special tabs on the sides of the case, which provide the necessary distance for better ventilation of devices.

→ All contact surfaces are silver plated



→ Contact material Cu – lower temperature rise, lower power dissipation



→ Mounting on standard DIN 35 mm rail

→ Plastic parts are made of firestop material (GW 960 °C)



→ For sizes of 10x85 and 10/14x85 in one type of photovoltaic fuseholder

→ Compact housing design without additional covers



→ Complete protection against touch according to IP 20

→ Changing of a fuse link without danger of direct touch of parts under voltage



→ More space for finger to open fuse carrier

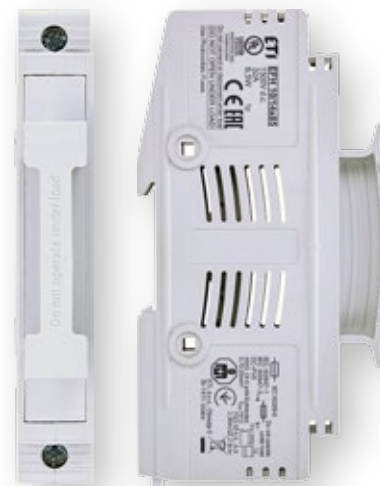
EFH 10/14x85 DC - Photovoltaic fuseholder

NEW!

Photovoltaic fuseholder EFH 10/14x85 d.c. is a protection device with exchangeable cylindrical gPV fuse links in sizes 10x85mm and 10/14x85mm.

EFH 10/14x85 d.c. with inserted fuse-link supports operating voltage of 1.500V d.c. and provides overload and short-circuit protection of electrical components in photovoltaic installations.

Product design offers complete protection against touch and has the possibility of connection supply from upper or from the lower side. EFH 10/14x85 d.c. has to be installed in an electrical enclosure with DIN type rail.

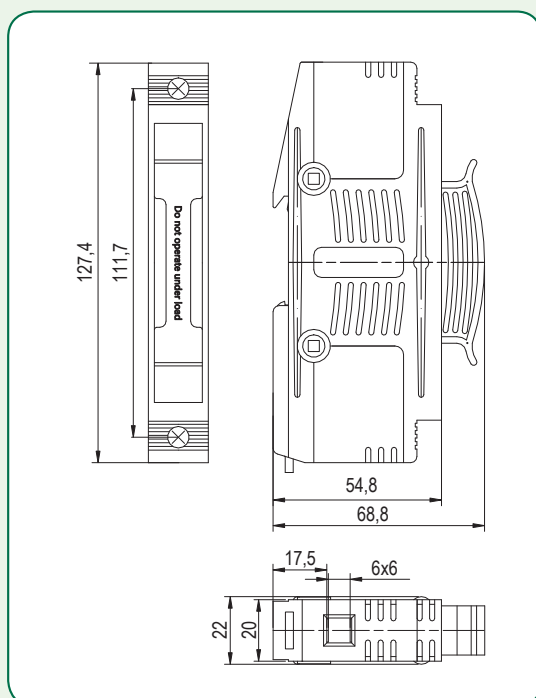


General characteristics

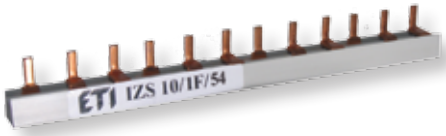
Rated operational current Ie	32A
Rated operational voltage Ue	1500 V d.c.
Rated insulating voltage Ui	1500 V d.c.
Max. power dissipation	6,5 W
Rated impulse withstand voltage Uimp	8kV
Conditional short-circuit current	30kA
Fuse type	10x85mm, 14x85mm
Pollution degree	3
Operating temperature	-5°C ... +40°C
Flammability rating (material):	GW 960°C (firestop plastic)
Mounting	TH 35
Wire	CU 75°C
Wire range	0,75 – 25 mm ²
Screw terminals	PZ2
Torque rating	2,5 Nm
Standards - Fuse holder	IEC/EN 60947-1; IEC/EN 60947-3; IEC 60269-1; IEC 60269-6 UL 4248-1; UL 4248-19

EFH 10/14x85

Type	Code No.	Number of poles	I _{max} [A]	U _e /U _i [V d.c.]	Indicator	Weight [kg]	Packaging [pcs]
EFH 10/14x85	001703005	1P	32	1500	×	0,1	1/6/144



Section rail



EFH 10 DC

Type	Description	Code No.	Cross section (mm ²)	Length (m)	Weight [g]	Packaging [pcs]
IZS10/1F/54	10 mm ² , 1 pole, 54 mod	002921101	10	1	150	40
IZS16/1F/54	16mm ² , 1 pole, 54 mod	002921111	16	1	220	40

For use with EFH10 DC

EFH 14 DC

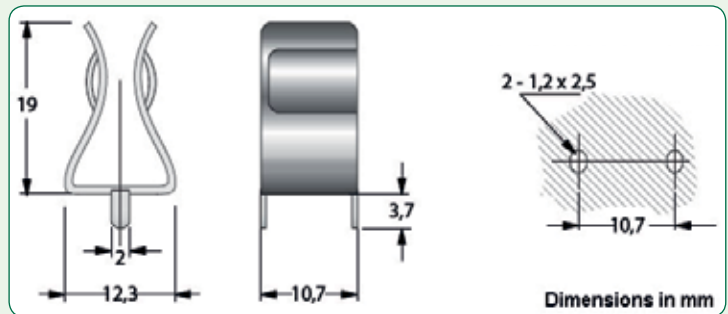
Type	Description	Code No.	Cross section (mm ²)	Length (m)	Weight [g]	Packaging [pcs]
IZS16/1F/36	16mm ² , 1 pole, 36 mod	002921121	16	1	280	40

For use with EFH14 DC

Fuseholder for CH fuse links

Fuseholders for CH10 fuse links

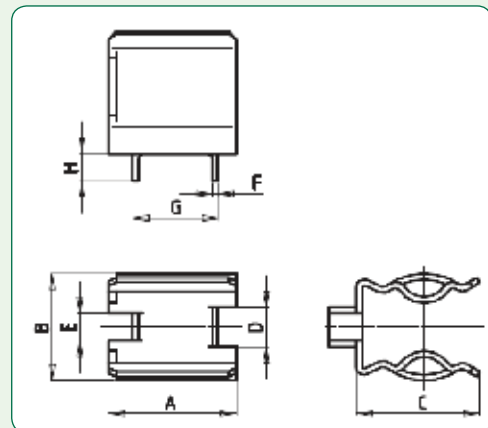
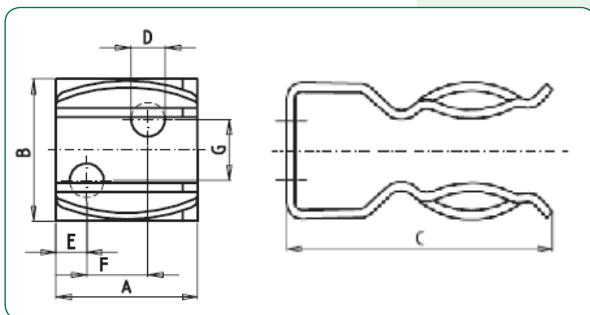
Code	Type	Weight(g)	Packaging [pcs]
006710335	HK10383	1	250



Type	Dimensions [mm]							
	A	B	C	D	E	F	G	H
HK10383	12,3	9,8	19,0	2,0	2,0	0,75	11,0	4,0

Fuseholders for CH14 fuse links

Code	Type	Weight(g)	Packaging [pcs]
006710340	CH14-PCB	5	100
006710341	CH14-SCR	5	100



Type	Dimensions [mm]						
	A	B	C	D	E	F	G
CH14-SCR	16	16	23	4,2	6,5	0	0

Type	Dimensions [mm]							
	A	B	C	D	E	F	G	H
CH14-PCB	16	14	15,5	5	3,5	0,75	10,7	3,5

NH DC 750V - Fuse-links

General characteristics

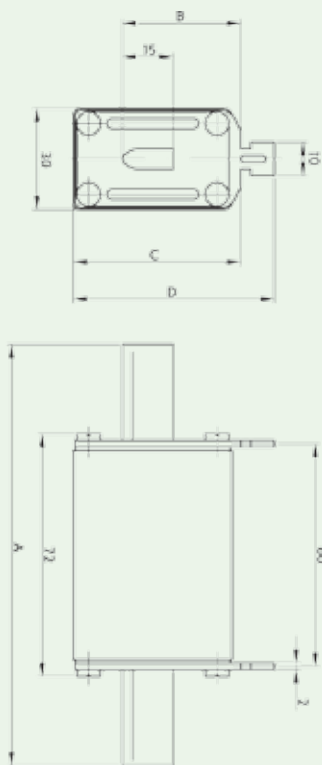
Rated voltage	750V d.c. (L/R = 15ms)
Breaking capacity	20 kA d.c.
Standards	IEC 60269-6 ed 1.0 (2010-9), IEC 60269-4
Application	Fuse-link for DC application. Applied in fuse base PK0 and PK1 DC.



DC 750 V

In [A]	gPV		Power dissipation [W]	Pre-arcing Joule integral [I ² t] (L/R = 15ms)	Operating Joule integral [I ² t] (L/R = 15ms)	Weight [g]	Packaging [pcs]
	Code No. Size 0	Code No. Size 1C					
32	004110308	004110300	7,6	70	370	280/0 300/1C	3/24
40	004110310	004110301	8,8	135	650		
50	004110311	004110302	11,0	250	1.000		
63	004110312	004110303	13,5	520	1.790		
80	004110313	004110304	17,0	1.050	3.000		
100	004110314	004110305	21,0	2.580	6.140		
125	004110315	004110306	22	6.300	14.090		
160	004110316	004110307	32	13.060	27.220		

Size	A	B	C	D
0	125	35	50	60
1C	135	40	55	65



gPV, PV(gR) 750V, 1000V dimensions



NH DC 1000V - Fuse-links

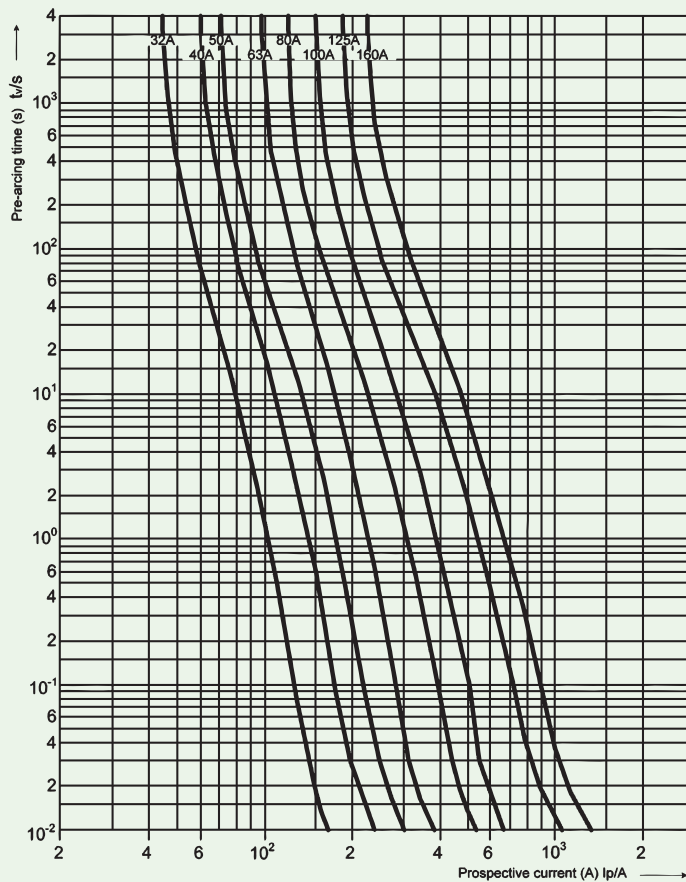


General characteristics

Rated voltage	1000V d.c. (L/R = 2ms)
Breaking capacity	20 kA d.c.
Standards Fuse-links	IEC 60269-6 ed 1.0 (2010-9), IEC 60269-4
Application	Fuse-link for DC application. Applied in fuse base PK0 and PK1 DC.

DC 1000 V

I _n [A]	gPV		Power dissipation [W]	Pre-arcing Joule integral [I ² t] (L/R = 2ms)	Operating Joule integral [I ² t] (L/R = 2ms)	Weight [g]	Packaging [pcs]
	Code No. Size 0	Code No. Size 1C					
32	004110381	004110371	7,6	52	430	280/0 300/1C	3/24
40	004110383	004110373	8,8	96	730		
50	004110384	004110374	11,0	155	920		
63	004110385	004110375	13,5	290	1.760		
80	004110386	004110376	17,0	520	3.160		
100	004110387	004110377	21,0	1.110	5.280		
125	004110388	004110378	22	2.800	11.340		
160	004110389	004110379	32	5.950	20.750		



gPV, PV(gR) 750V, 1000V t-I characteristics

NH DC 1000V - Fuse-links

General characteristics

Rated voltage	1000V d.c. (L/R=1ms)
Breaking capacity	30kA d.c.
Standards	IEC 60269-6 ed. 1.0
Application	Fuse link for DC application. Applied in fuse base PK1, 2, 3 1000V d.c..

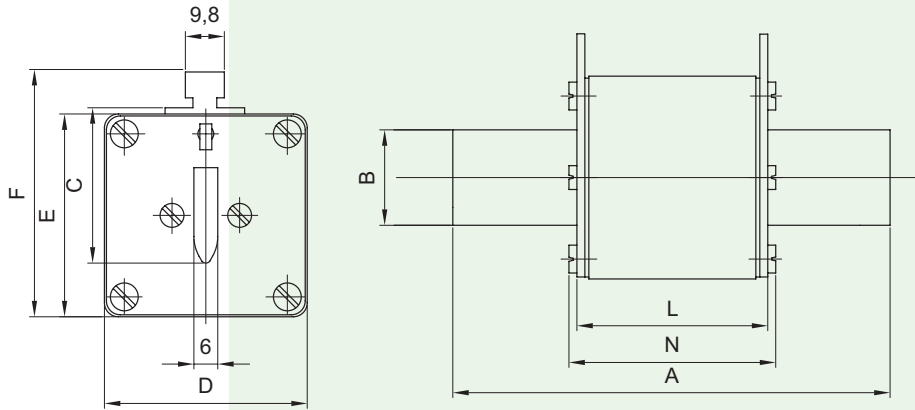


DC 1000V gPV

Size	I_n [A]	gPV Standard indicator Code No. Pic.1	gPV S_{110} screw contact Code No. Pic.2	gPV U_{110} screw contact Code No. Pic.3	gPV G screw contact with centre trip indicator for microswitch MK Code No. Pic.4	Power dissipation ($0,7 \times I_n$) [W]	Power dissipation [W]	Pre-arcing Joule integral [I ² t] (L/R = 1ms)	Operating Joule integral [I ² t] (L/R = 1ms)	Weight [g]	Packaging [pcs]
1	200	004110342				11	27	4.400	29.000	500	3/24
2	200	004110343	004110292	004110296	004110346	11	26	4.400	29.000	650	1/16 (G screw contact: 2/32)
	250	004110344	004110293	004110297	004110347	15	36	6.000	38.000		
3	160	004110456				15	38	5.000	10.000	1200	3/15 (G screw contact: 2/9)
	200	004110455				18	45	10.000	20.000		
	250	004110458				18	44	20.000	40.000		
	315	004110460	004110294	004110298	004110232	24	54	40.000	80.000		
	350	004110459	004110348	004110349	004110233	25	55	45.000	90.000		
	400	004110457	004110295	004110299	004110234	24	58	46.000	138.000		



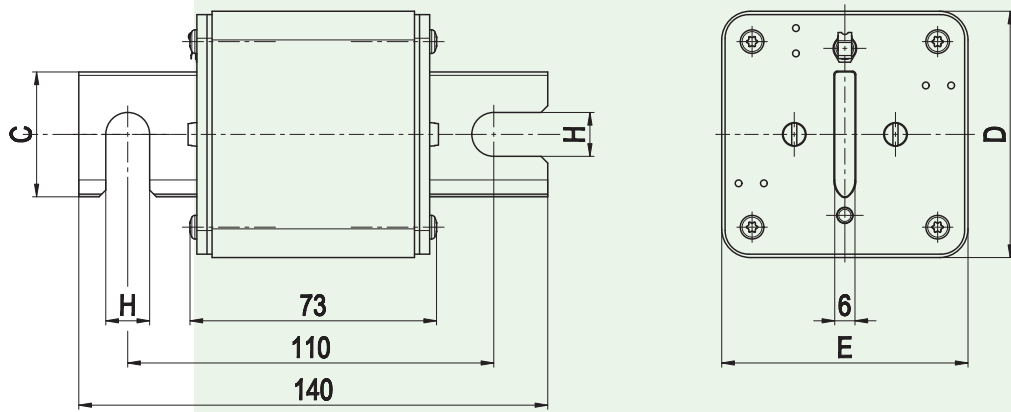
Pic.1



Standard indicator

Size	A	B	C	D	E	F	L	N
1	135	24	42	51	51	67	70	74
2	150	30	48	61	61	71	70	74
3	150	37	60	73	73	87	70	74

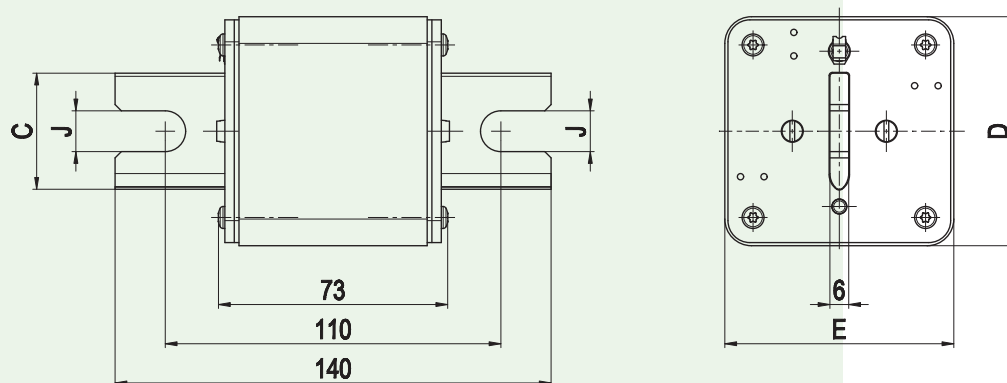
Pic.2



S₁₁₀ screw contact

Size	C	E	D	H
2	30	60	60	11
3	37	73	73	11

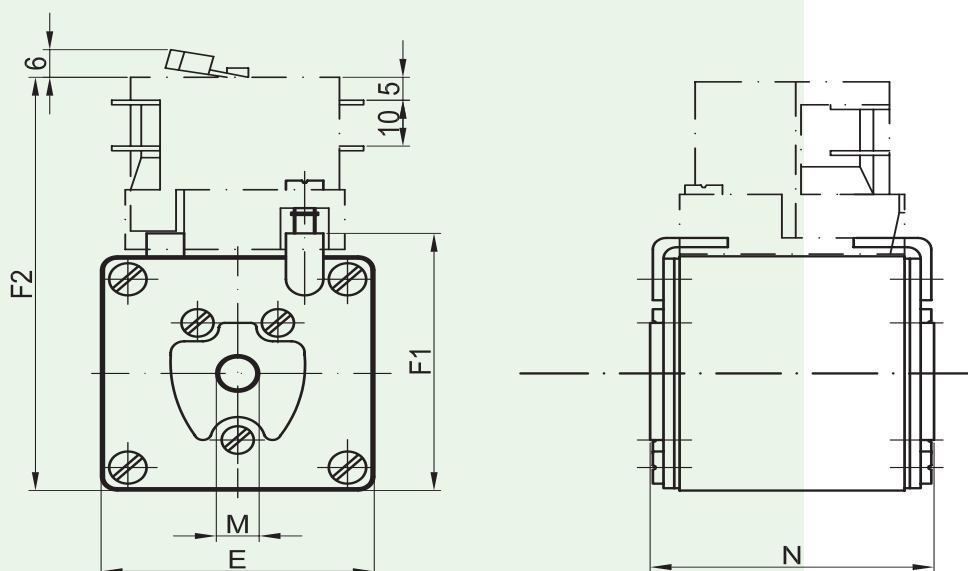
Pic.3



U₁₁₀ screw contact

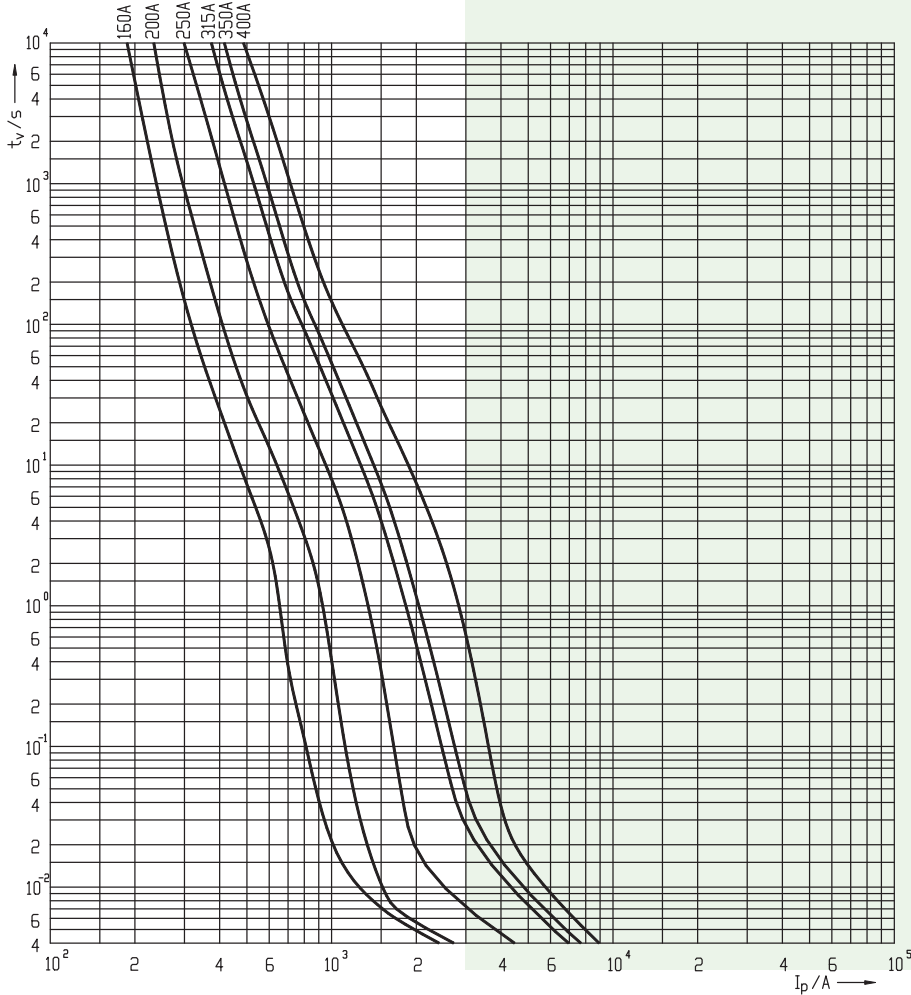
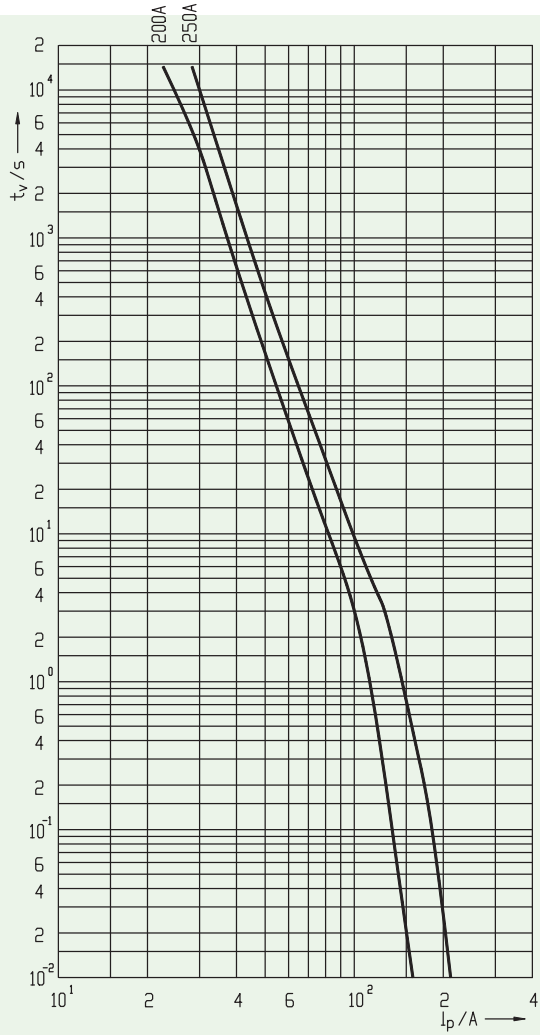
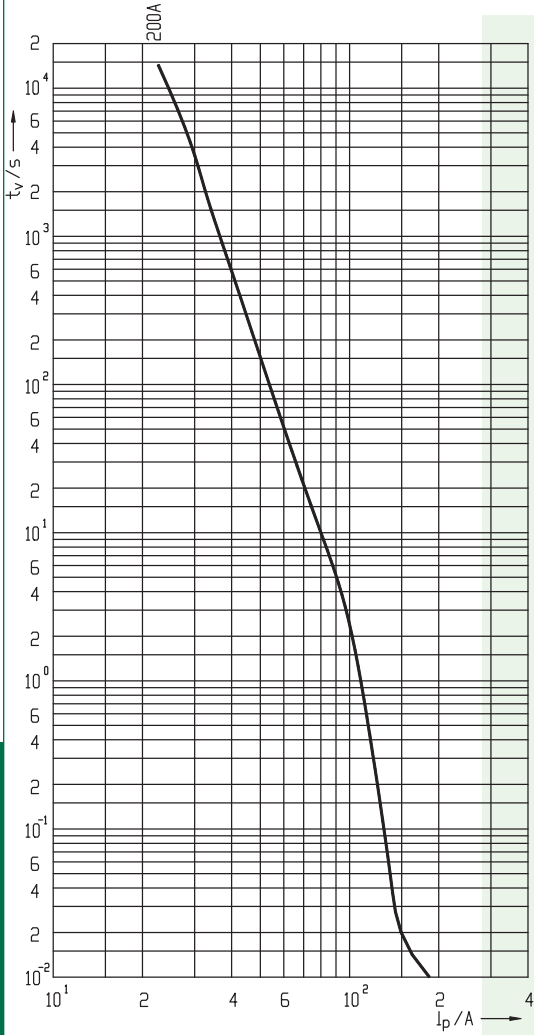
Size	C	J	E	D
2	30	13	60	60
3	37	13	73	73

Pic.4



G screw contact

Size	D	E	F1	F2	M	N
2	60	60	65	99	M10	75
3	75	75	80	114	M12	75



NH3 gPV 1000V t-I characteristics

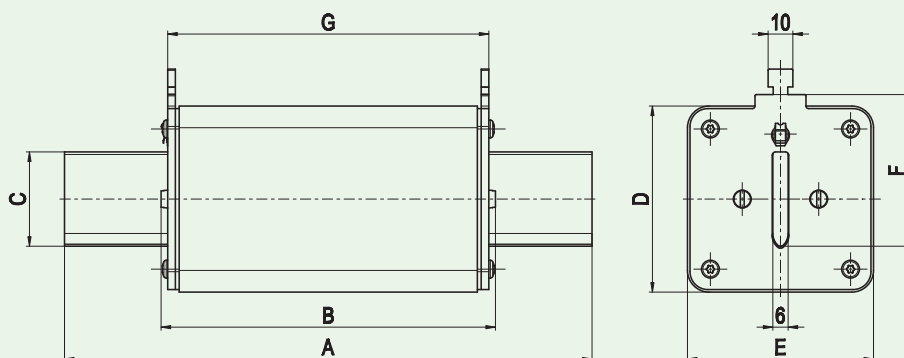
NH DC 1000V - Fuse-links

General characteristics

Rated voltage	1000V d.c. (L/R=2ms)
Breaking capacity	30kA d.c.
Standards	IEC 60269-6
Application	Fuse link for DC application. Applied in fuse base PK XL

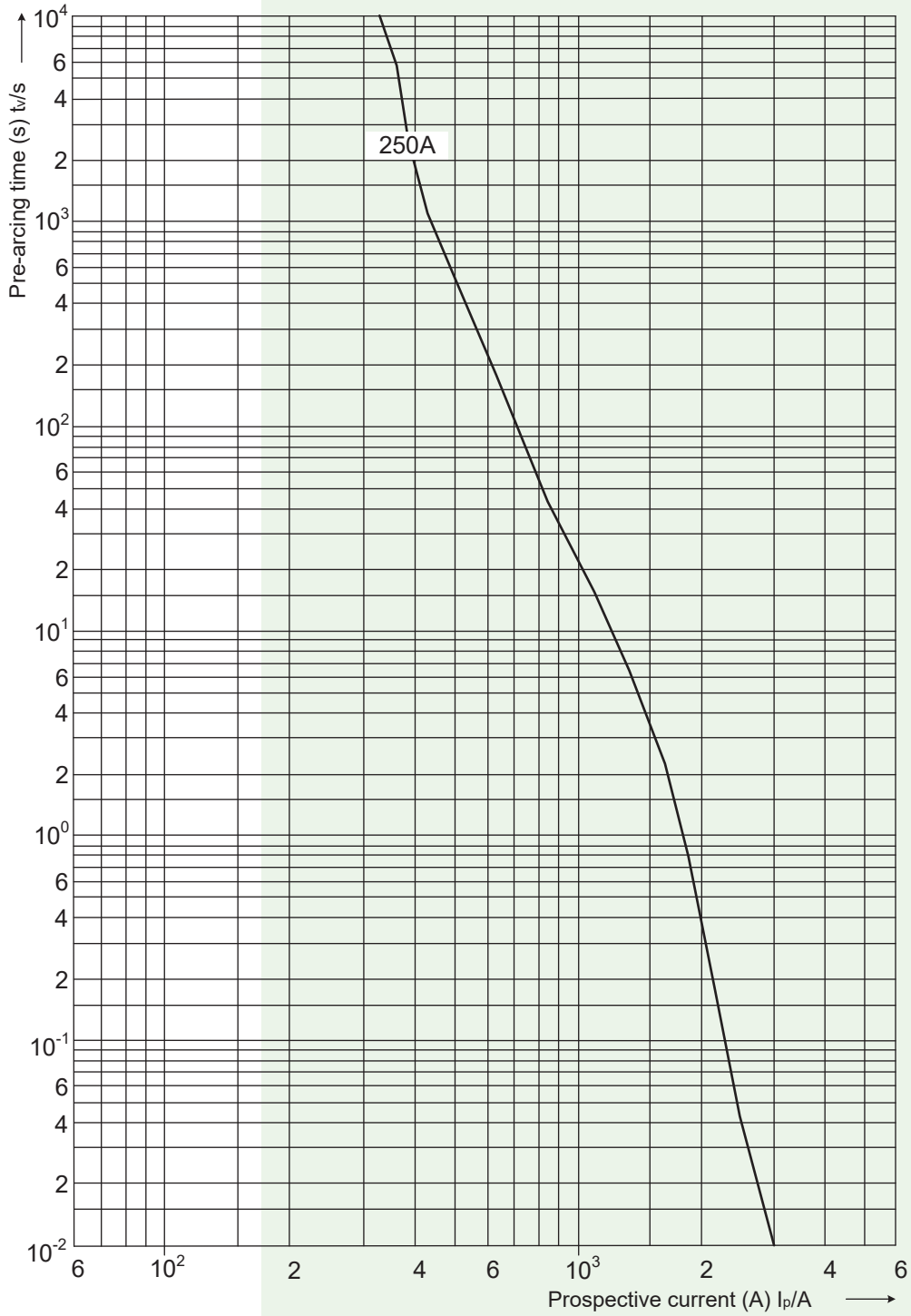
DC 1000V gPV

Size	I_n [A]	gPV Standard indicator	Power dissipation $(0,7 \times I_n^2)$ [W]	Power dissipation [W]	Pre-arcing Joule integral $[I^2t]$ (L/R = 2ms)	Operating Joule integral $[I^2t]$ (L/R = 2ms)	Weight [g]	Packaging [pcs]
1XL	250	004110646	24	42	19.000	180.000	950	1/15



Size	Dimensions [mm]						
	A	B	C	D	E	F	G
1XL	192	131	24	51	51	41	125





NH 1XL gPV 1000V t-I characteristics

NH DC 1100V - Fuse-links

General characteristics

Rated voltage	1100V d.c. (L/R = 5ms)
Breaking capacity	10 kA d.c.
Standards	IEC 60269-6 ed 1.0 (2010-9), IEC 60269-4
Application	Fuse-link for DC application. Applied in fuse base PK XL 1500V.

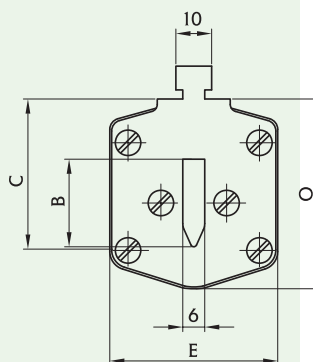
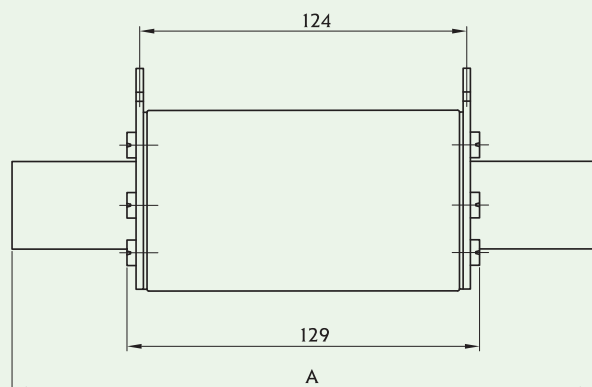


DC 1100V

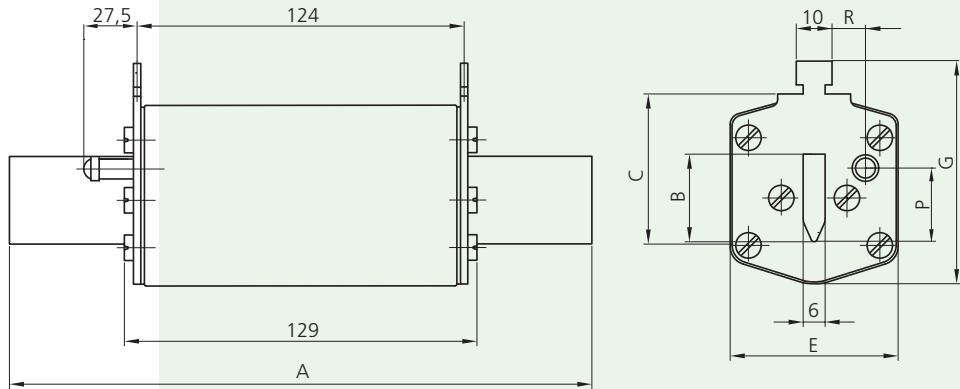
Size	I_n [A]	Standard indicator (pic.1)	Trip indicator - K (pic.2)	S_{170} screw contact (pic.3)	Power dissipation (0,7xI _n) P _d [W]	Power dissipation [W]	Pre-arcing Joule integral [I ² t] (L/R = 5ms)	Operating Joule integral [I ² t] (L/R = 5ms)	Weight [g]	Packaging [pcs]
1XL	63	004110426	004110431	004110435	6,2	15,0	2.720	3.520	750	1/17
	80	004110427	004110432	004110436	7	17,0	4.000	5.500		
	100	004110428	004110433	004110437	8,2	20,0	6.500	9.000		
	125	004110429	004110434	004110438	9,6	23,0	11.000	15.000		
	160	004110410	004110414	004110420	14,6	35,0	19.400	28.640		
	200	004110411	004110416	004110439	13,9	32,6	42.600	83.400		
2XL	200	004110430	004110415	004110421	17,8	42,0	40.000	60.000	1050	1/15
	250	004110413	004110417	004110423	17,9	46,0	85.260	117.400		
	315	004110418	/	/	22	53	35.000	115.000		
	350*	004110483	/	/	27	65,5	40.000	130.000		
3L	200	004110451	/	/	17	41	40.000	59.000	1360	1/10
	224	004110452	/	/	17,5	44	60.000	88.000		
	250	004110453	/	/	17,7	45	85.000	115.000		
	300	004110454	/	/	25	53,5	166.000	220.000		
	315	004110425	004110419	004110424	25,2	54,0	166.800	221.900		
	350	004110440	004110442	004110444	28,2	60,5	175.000	260.000		
	400	004110441	004110443	004110445	28,8	67,0	235.000	345.000		
	450*	004110448	/	004110450	40	98	110.000	280.000		
	500*	004110446	/	004110447	42	112	150.000	370.000		
	630*	004110449	/	004110484	46	119	180.000	450.000		

*L/R=2ms, 30kA d.c.; special dimensions (see next page)

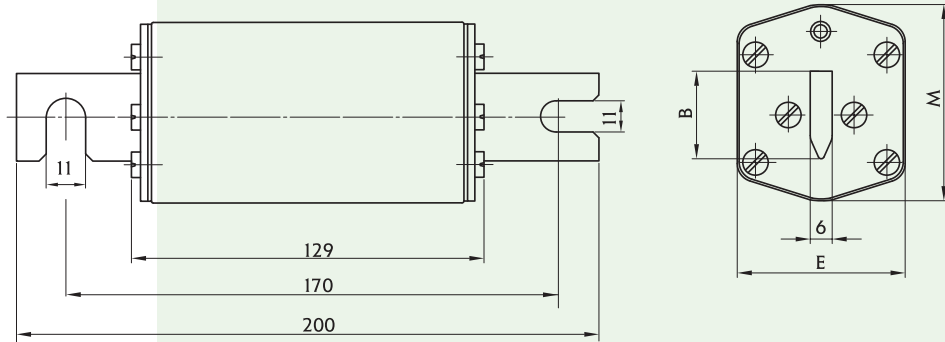
Picture 1



Picture 2

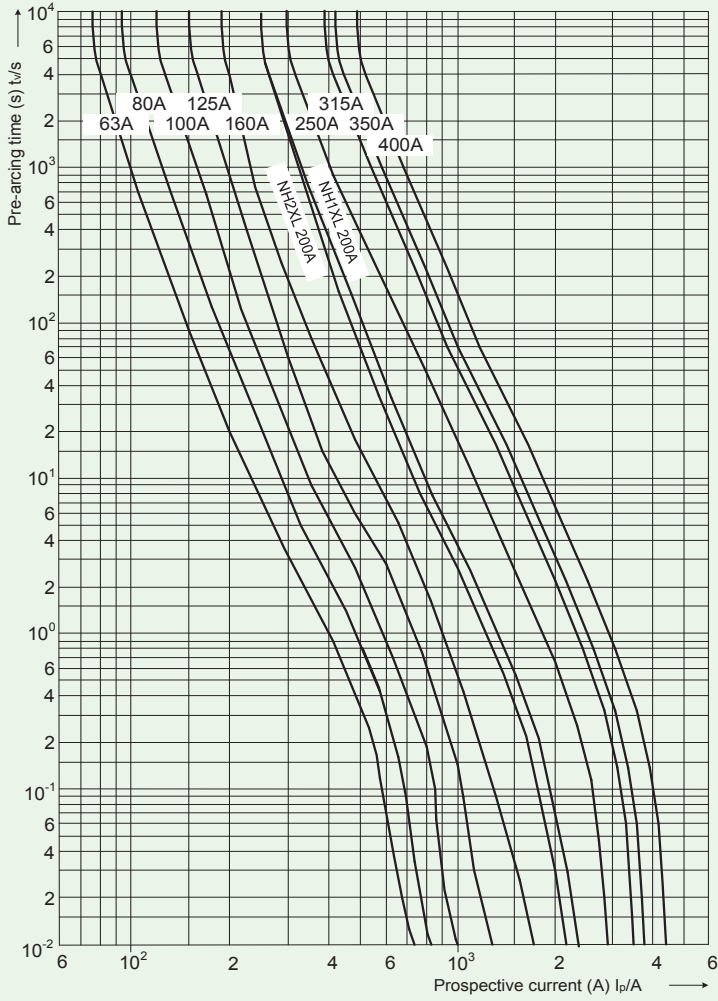


Picture 3

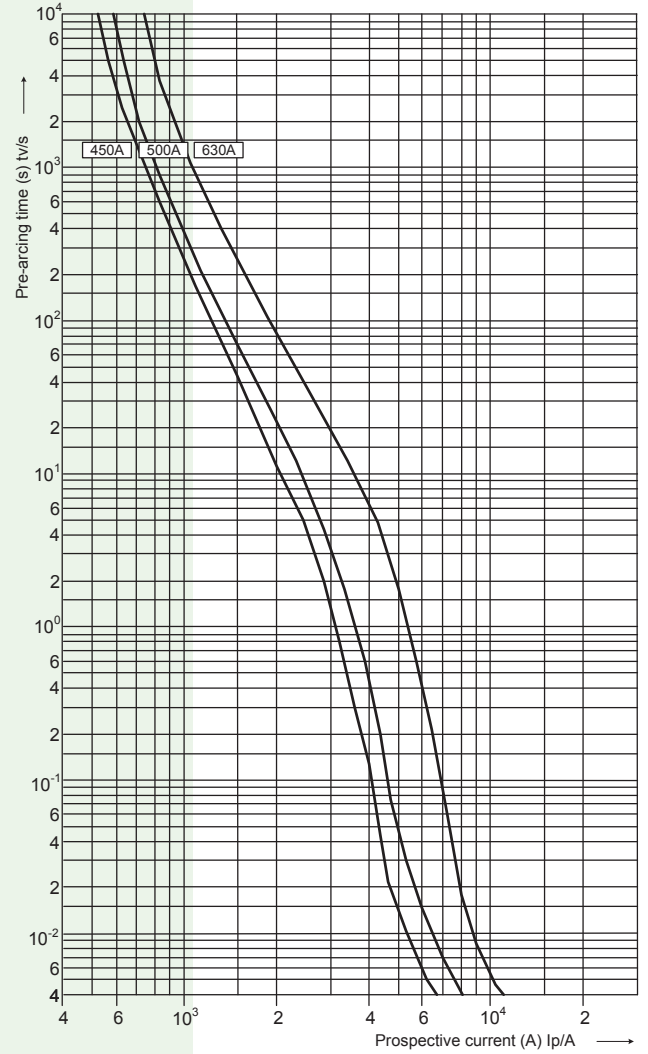


Size	Dimensions [mm]								
	A	B	C	E	G	P	R	M	O
1XL	194	24	40	46	61,5	20,5	13,7	50	52
2XL	209	30	48	54	71	27,3	16,2	59	61
*2XL (350A)	208	30	48	60	/	/	/	60	/
3L	209	37	60	64	82	35,6	17,0	70	74
*3L (450A, 500A, 630A)	209	37	60	73	/	/	/	73	77

gPV, PV(gR) 1100V t-I characteristics

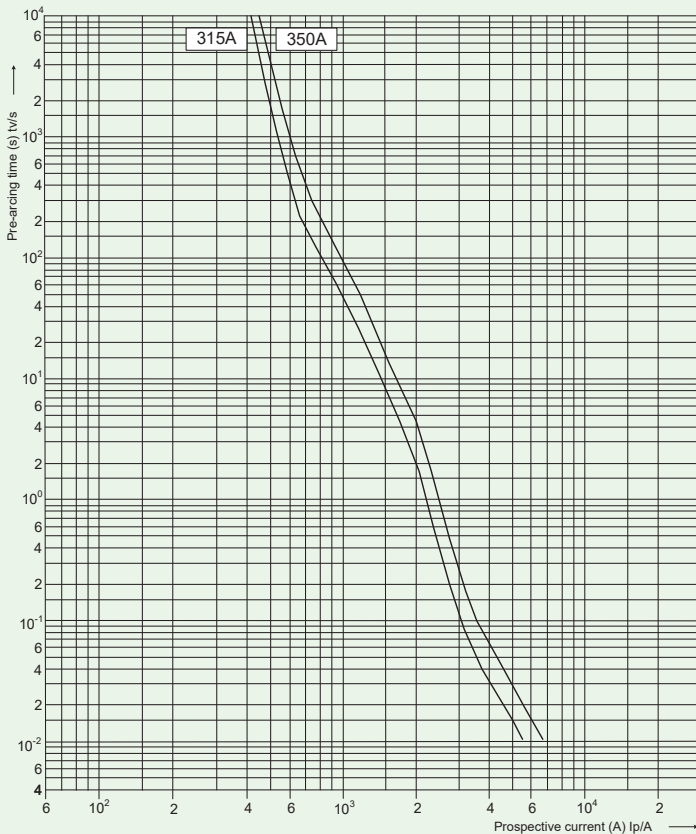


gPV, PV(gR) 1100V t-I characteristics



NH2XL 315,350A DC 1100V gPV

Time-current characteristic



NH DC 1100V - Fuse-links



General characteristics		UL file: E347771
Rated voltage	1100V d.c. (L/R = 2ms)	
Breaking capacity	10 kA d.c.	
Standards	UL 2579, UL 248-1	
Application	Fuse link for DC application. Applied in fuse base PK XL 1500V.	

DC 1100V gPV

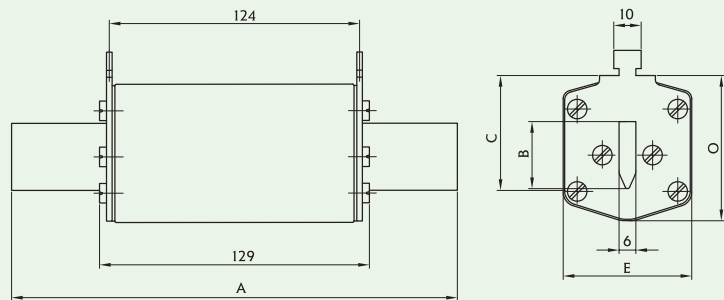
Size	I_n [A]	Standard indicator (pic.1)	S_{170} screw contact (pic.2)	U_{170} screw contact (pic.3)	Power dissipation (0,7xI _n) P _d [W]	Power dissipation [W]	Pre-arcing Joule integral [I ² t] (L/R = 2ms)	Operating Joule integral [I ² t] (L/R = 2ms)	Weight [g]	Packaging [pcs]
1XL	63	004110391	004110472	004110487	7	15,7	2.800	3.500	750	1/17
	80	004110392	004110473	004110488	7	16	4.500	5.500		
	100	004110393	004110474	004110489	8,3	19	7.500	9.000		
	125	004110394	004110475	004110490	9,7	22	13.000	15.000		
	160	004110395	004110476	004110491	13,2	30	25.000	30.000		
2XL	200	004110396	004110477	004110492	15	34,8	39.000	80.000	1050	1/15
	200	004110397	004110478	004110493	15,9	36	55.000	75.000		
3L	250	004110398	004110479	004110494	19,3	44	90.000	120.000	1360	1/10
	315	004110399	004110480	004110495	23	53,6	170.000	230.000		
	350	004110400	004110481	004110496	26	58	195.000	260.000		
	400	004110401	004110482	004110497	28	64,8	250.000	350.000		
	450	004110485	004110486	004110498	34	85	130.000	250.000		
	500*	004110629	004110628	004110627	37	98	150.000	370.000		

*size 73x73; dimensions on page 36 (3L).

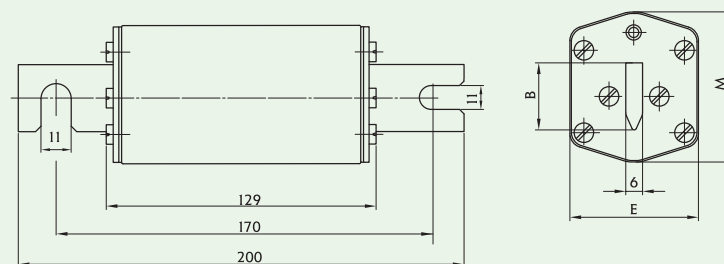
Size	Dimensions [mm]								
	A	B	C	E	G	P	R	M	O
1XL	194	24	40	46	61,5	20,5	13,7	50	52
2XL	209	30	48	54	71	27,3	16,2	59	61
3L	209	37	60	64	82	35,6	17,0	70	74



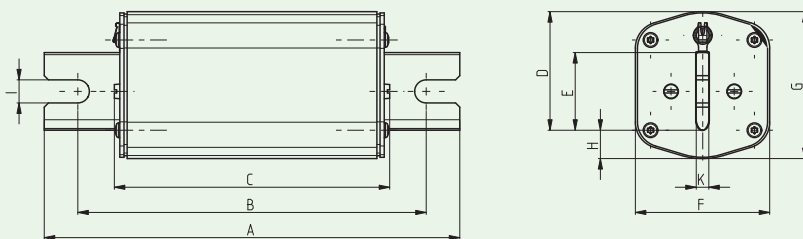
Picture 1



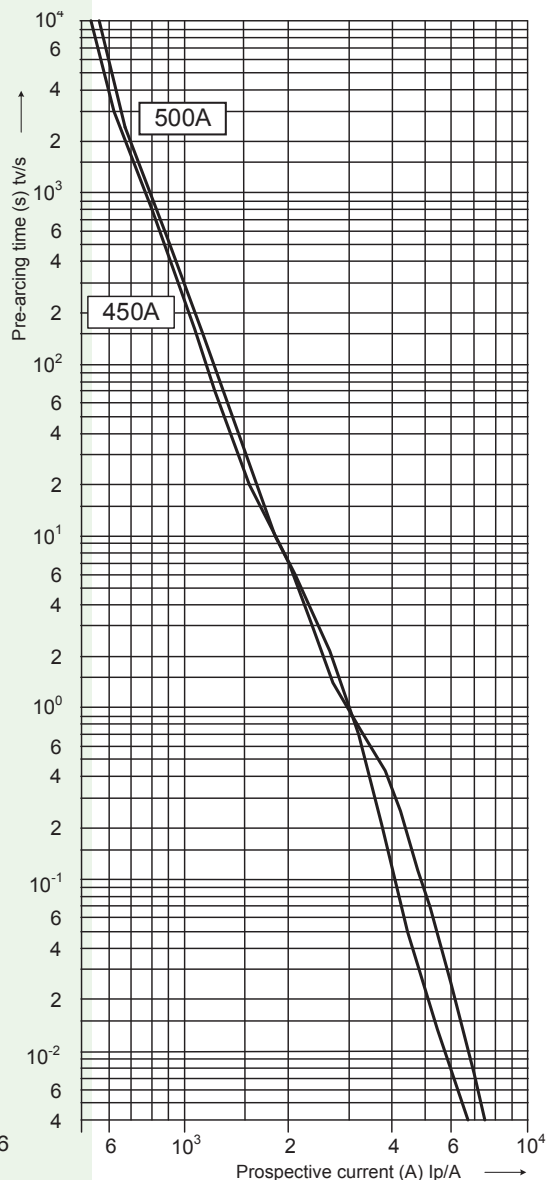
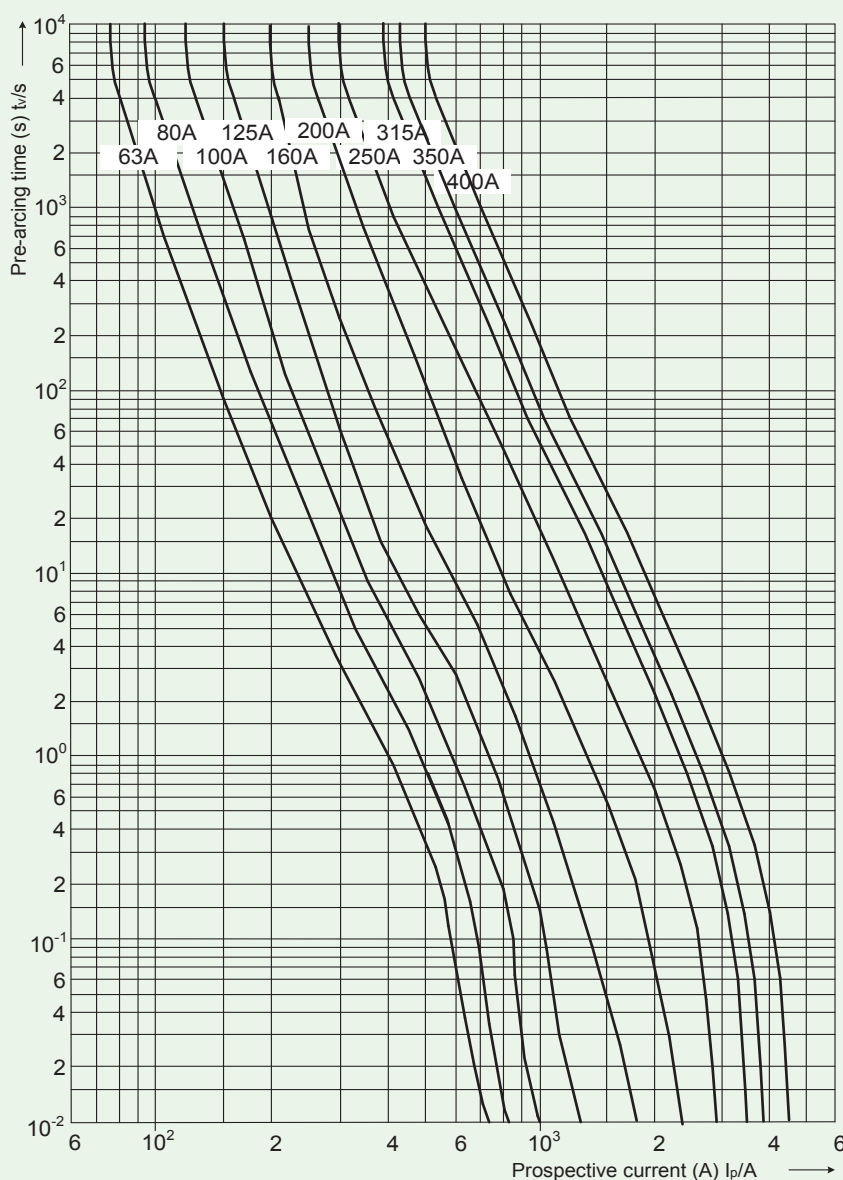
Picture 2



Picture 3



Size	Dimensions [mm]									
	A	B	C	D	E	F	G	H	K	I
1XL	197	170	133	40	24	46	50	16	6	11
2XL	200	170	130	48	30	54	59	18	6	13
3L	200	170	130	60	37	64	70	23	6	13



gPV 1100V t-I characteristics

NH 01XL DC 1500V - Fuse-links

NEW!

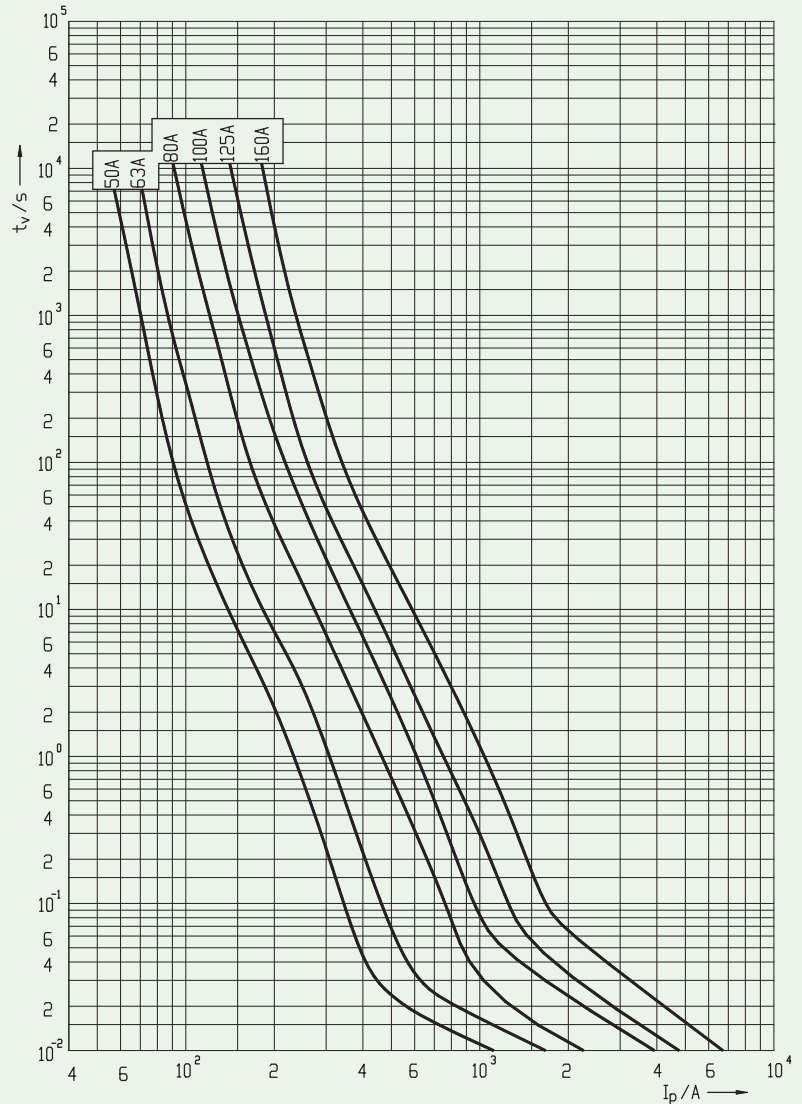
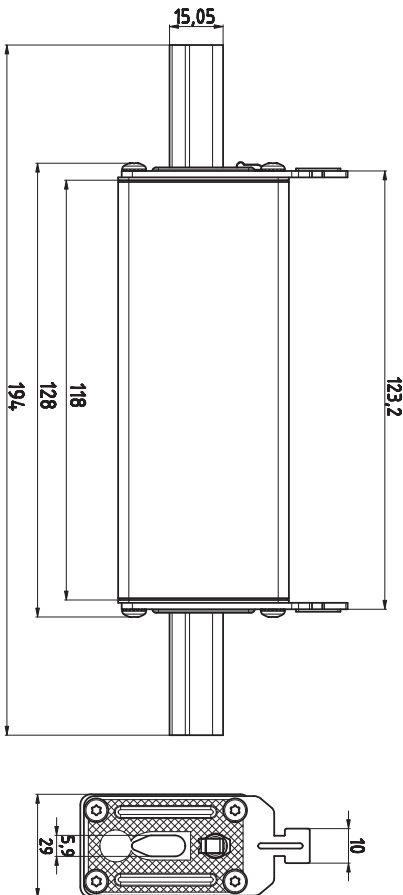


General characteristics

Rated voltage	1500V d.c. (L/R=3ms)
Breaking capacity	30kA d.c.
Standards	IEC 60269-6, UL248-19
Application	Fuse link for DC application. Applied in fuse base PK1XL.

DC 1500V gPV

Size	I_n [A]	gPV Standard indicator	Power dissipation (0,7xI _n) P _d [W]	Power dissipation [W]	Pre-arcing Joule integral [I ² t] (L/R = 3ms)	Operating Joule integral [I ² t] (L/R = 3ms)	Weight [g]	Packaging [pcs]
01XL	50	004110692	7	18	500	3.000	350	3/30
	63	004110693	8,5	22	1.000	6.000		
	80	004110694	9	21	2.000	15.000		
	100	004110695	11	29	3.500	25.000		
	125	004110696	13	36	4.000	30.000		
	160	004110697	17	46	6.000	48.000		



NH 1XL gPV 1500V t-I characteristics

NH DC 1500V - Fuse links

NEW!



General characteristics		UL file E347771*
Rated voltage	1500V d.c. (L/R=3ms)	
Breaking capacity	30kA d.c.	
Standards	IEC 60269-6, UL 248-19	
Application	Fuse link for DC application. Applied in fuse base PK XL 1500V.	

* UL for 450A and 500A pending

DC 1500V										
Size	I _n [A]	Standard indicator (pic.1)	gPV S ₁₇₀ screw contact (pic.2)	U ₁₇₀ screw contact (pic.3)	Power dissipation (0,7xI _n) P _d [W]	Power dissipation [W]	Pre-arcing Joule integral [I²t] (L/R = 3ms)	Operating Joule integral [I²t] (L/R = 3ms)	Weight [g]	Packaging [pcs]
1XL	50	004110621	004110622	004110623	6	14	800	3500	950	1/15
	63	004110560	004110591	004110606	6,2	14	1.500	6.000		
	80	004110561	004110592	004110607	7	16	5.000	15.000		
	100	004110562	004110593	004110608	8,3	19	10.000	26.000		
	125	004110563	004110594	004110609	9,7	22	15.000	37.000		
	160	004110564	004110595	004110610	13,2	30	19.000	48.000		
2XL	200	004110565	004110596	004110611	13,7	32,5	22.000	75.000	1350	1/9
	200	004110566	004110597	004110612	15,9	36	42.000	75.000		
3L	250	004110567	004110598	004110613	19,3	44	73.000	132.000	1970	1/9
	315	004110630	004110635	004110640	22,2	57	65.000	300.000		
	350	004110631	004110636	004110641	23,7	61	75.000	350.000		
	400	004110632	004110637	004110642	26,8	67	85.000	450.000		
	450	004110633	004110638	004110643	29	75	130.000	600.000		
	500	004110634	004110639	004110644	44,3	79	160.000	700.000		





General characteristics

Rated voltage	1500V d.c. (L/R=3ms)
Breaking capacity	70kA d.c.
Standards	IEC 60269-6
Application	Fuse link for DC application. Applied in fuse base PK 3L 1500V.

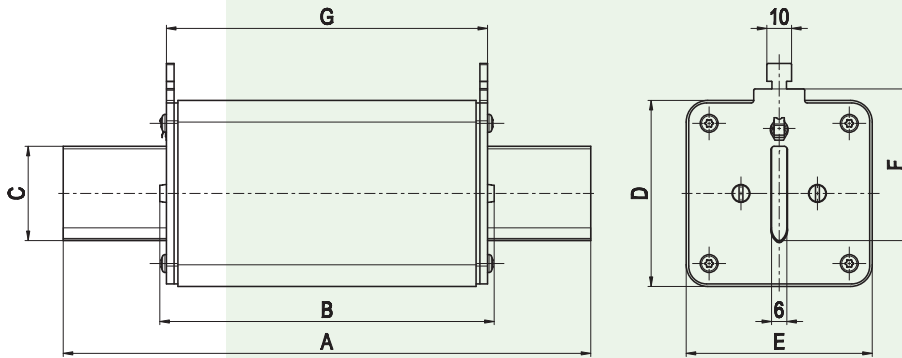
NEW!

DC 1500V

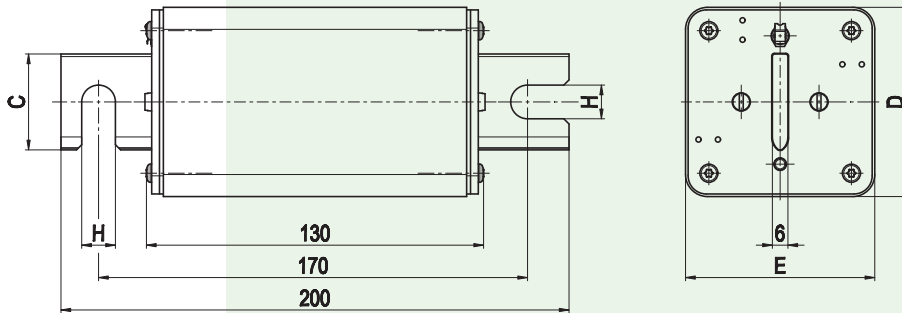
Size	I _n [A]	gPV			Power dissipation (0,7xI _n) P _d [W]	Power dissipation [W]	Pre-arcing Joule integral [I ² t] (L/R = 3ms)	Operating Joule integral [I ² t] (L/R = 3ms)	Weight [g]	Packaging [pcs]
		Standard indicator (pic.1)	S ₁₇₀ screw contact (pic.2)	U ₁₇₀ screw contact (pic.3)						
3L	315	004110714	004110719	004110724	22,2	57	65.000	300.000	1970	1/9
	350	004110715	004110720	004110725	23,7	61	75.000	350.000		
	400	004110716	004110721	004110726	26,8	67	85.000	450.000		
	450	004110717	004110722	004110727	29	75	130.000	600.000		
	500	004110718	004110723	004110728	44,3	79	160.000	700.000		



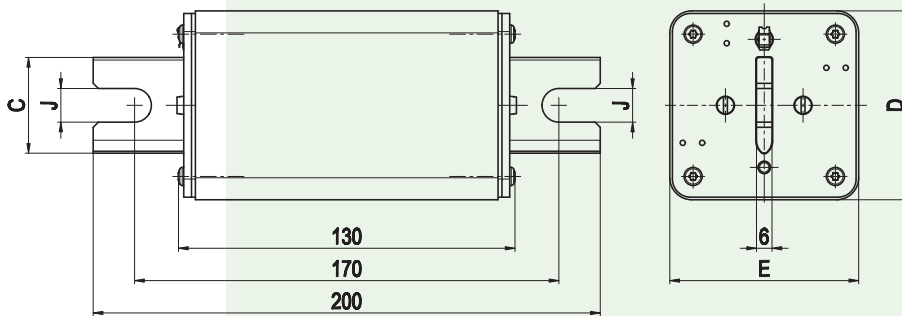
Picture 1



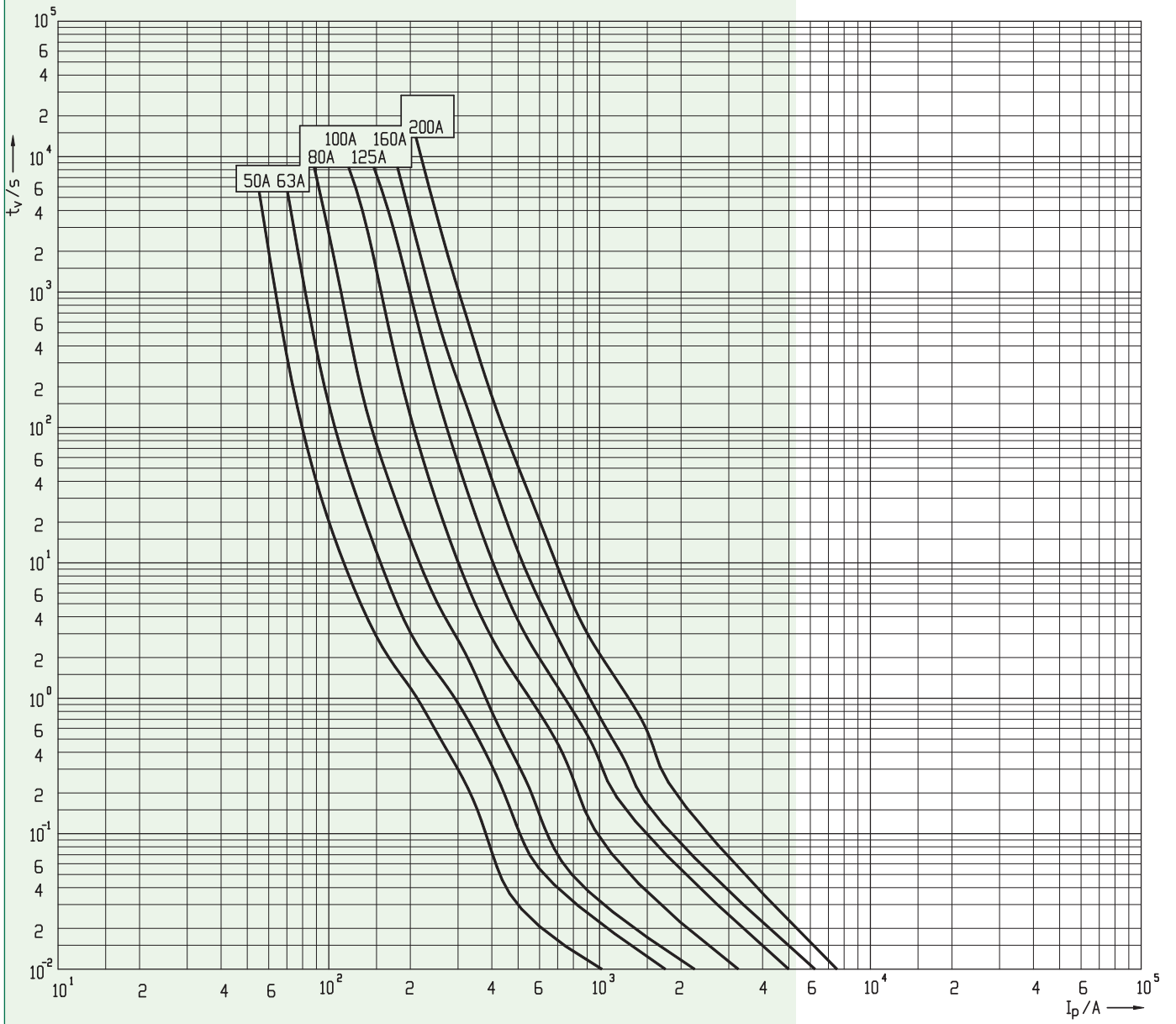
Picture 2



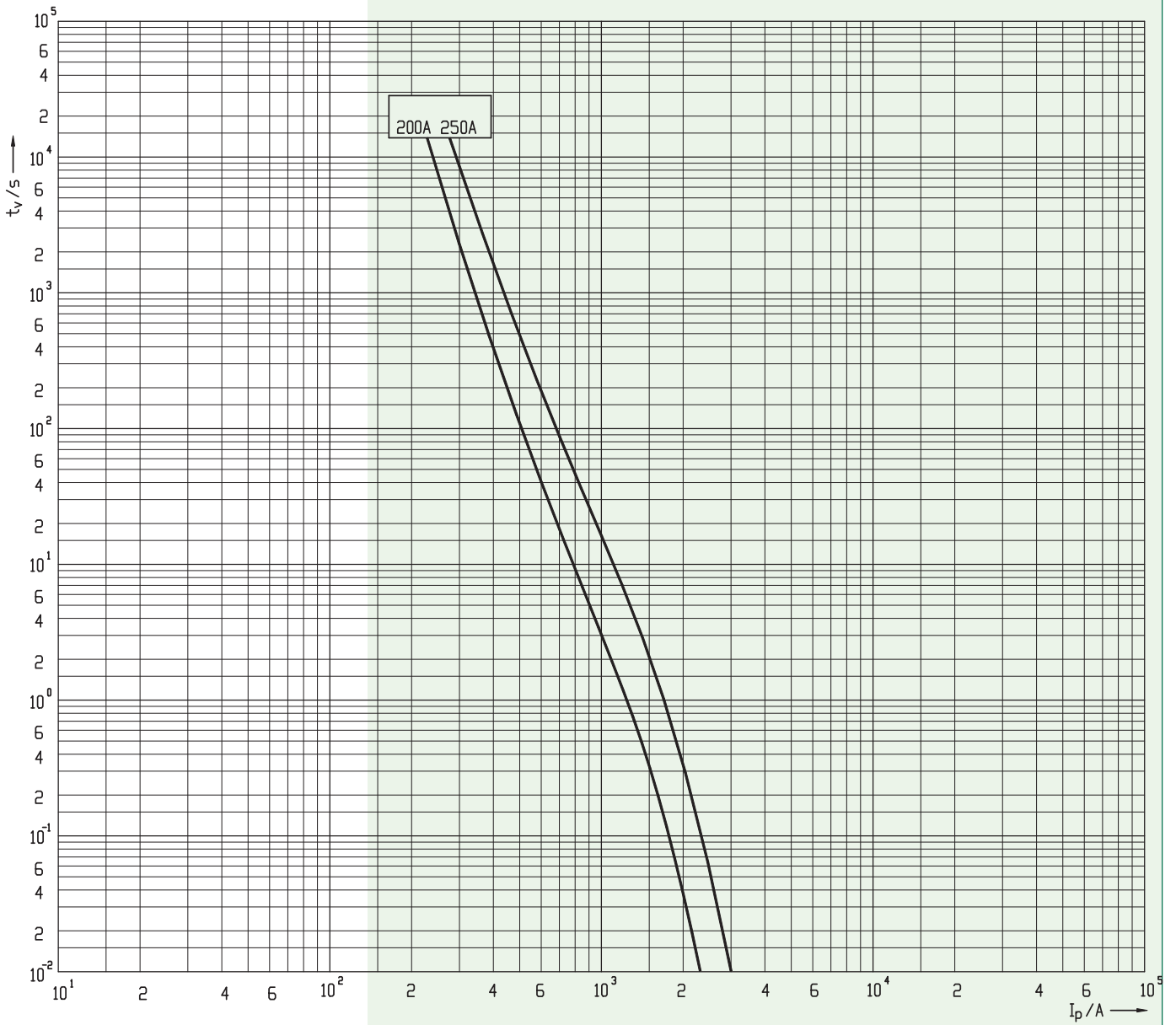
Picture 3



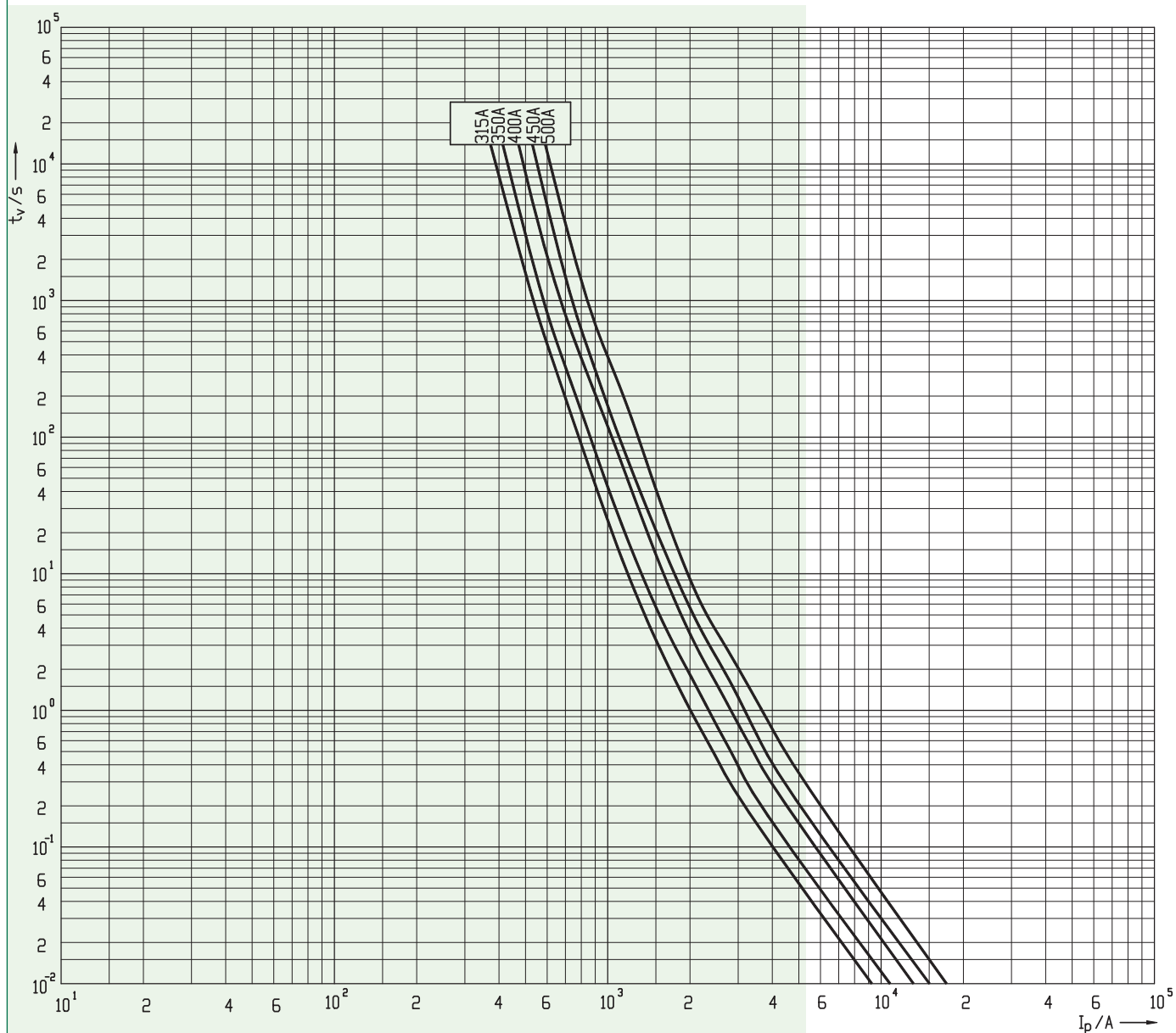
Size	Dimensions [mm]								
	A	B	C	D	E	F	G	H	J
1XL	192	131	24	51	51	43,5	125	11	11
2XL	208	130	30	60	60	48	126	11	13
3L	208	130	37	73	73	60	126	11	13



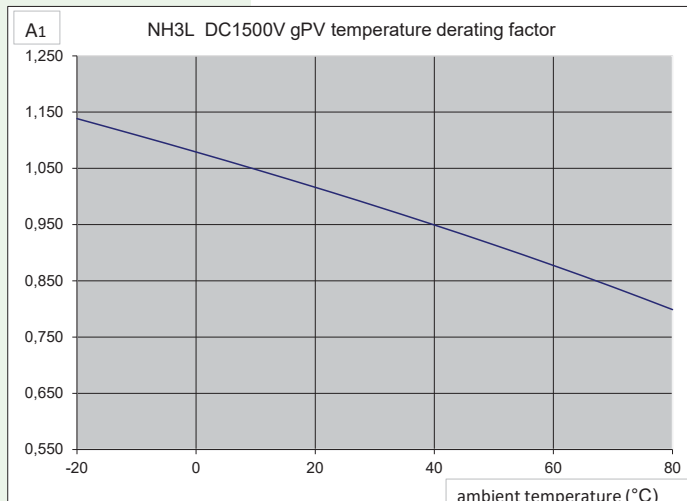
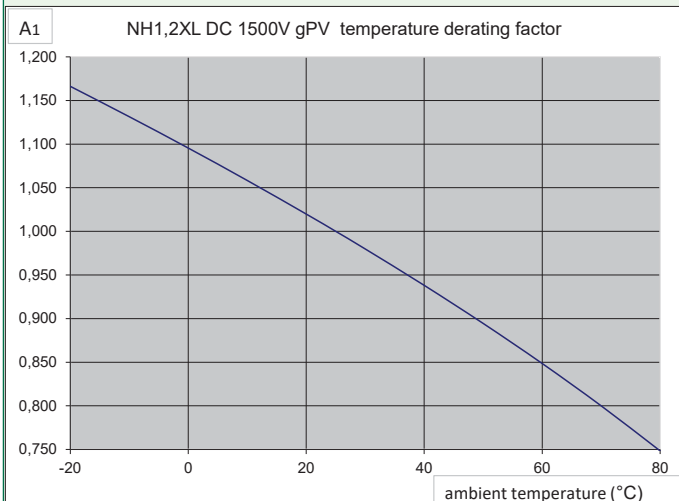
t-I characteristics NH 1XL



t-I characteristics NH 2XL



t-I characteristics NH 3L



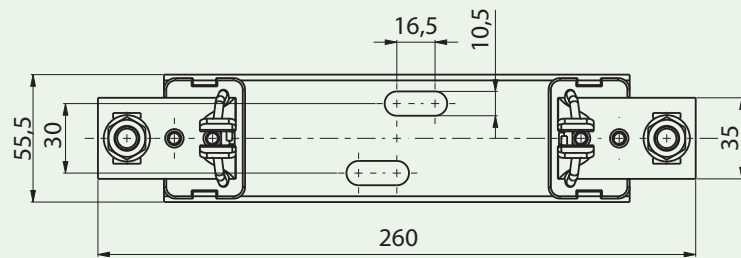
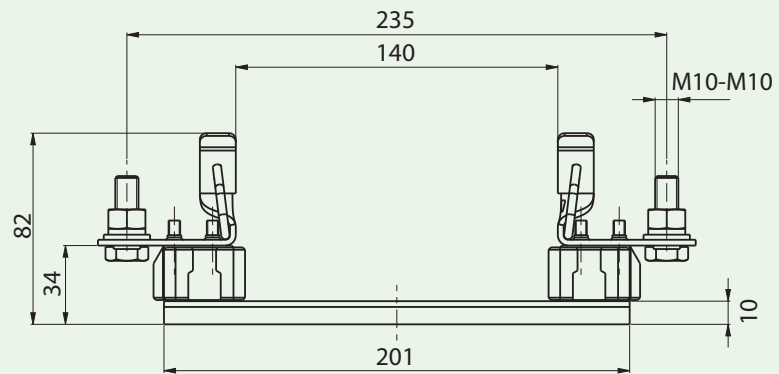
Fuse base PK XL

General characteristics

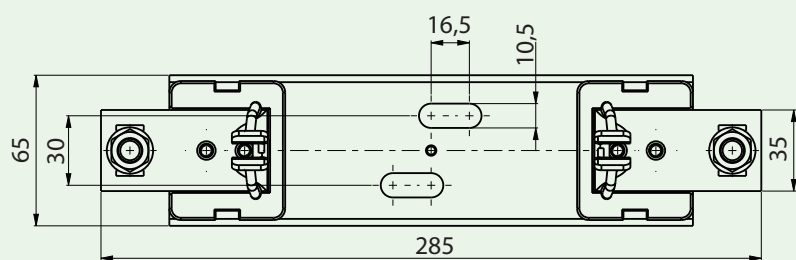
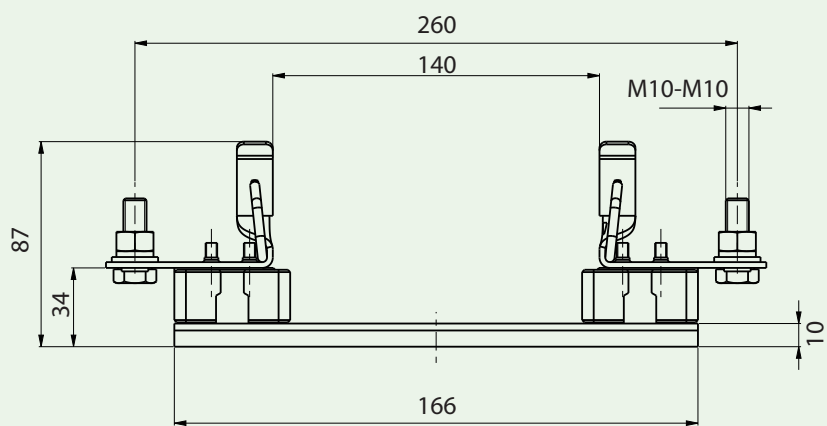
Rated voltage	1500V a.c./d.c.
Rated current	250A, 400A, 630A
Insulation class	C-VDE 0110
Rated torque-contact (size 1XL,2XL,3L)	32Nm
Rated torque (mounting plate)	12Nm
Degree of protection	IP00
Standards	EN 60269, IEC60269, DIN VDE 0636, DIN 43620, DIN 43623

Fuse base PK XL

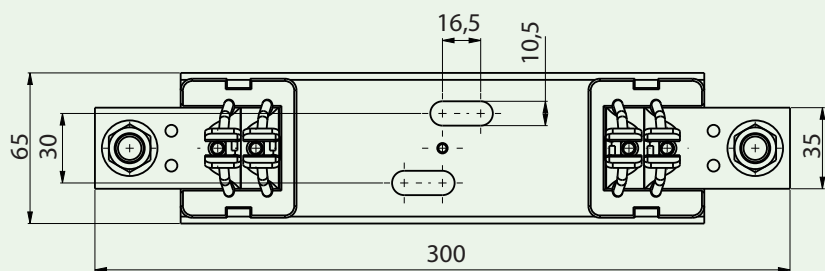
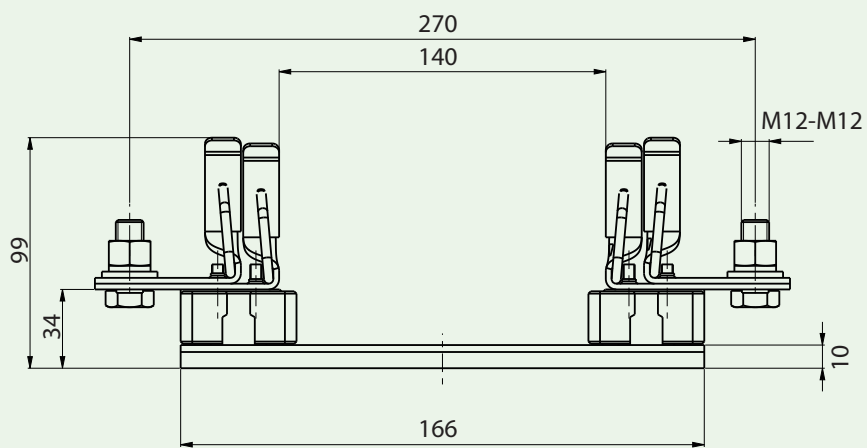
Type	I_n [A]	Cable lugs according to DIN 46235 [mm ²]	Code No.	Weight [g]	Packaging [pcs]
PK1XL M10-M10 1500V 1p	250	25-150	004132017	675	3
PK2XL M10-M10 1500V 1p	400	25-240	004132019	921	1
PK3L M12-M12 1500V 1p	630	25-300	004132023	1184	1



PK1XL



PK2XL



PK3L



Fuse base U1...3 /GZ/1500/H

General characteristics					
Type			U1XL-1IGZ/1500/H	U2XL-1IGZ/1500/H	U3L-1IGZ/1500/H
Size			NH1XL	NH2XL	NH3L
Rated voltage	V		1500	1500	1500
Rated current	A		250	400	630
Conv. free air thermal current with fuse links	A		200	315	630
Conv. free air thermal current with solid links	A		325	400	1000
Rated frequency	Hz		40-60	40-60	40-60
Max. permis. power dissipation per fuse-link	W		35	35*	70
Cable terminal - Flat terminal	Screw	–	M10	M10	M12
	Cable lug (DIN 46235)	mm ²	25-240	25-240	25-300
	Flat termination	mmxmm	30x10	30x10	40x10
	Rated torque	Nm	30-35	30-35	30-35
Cable terminal - Terminal	Cross-section	mm ²	KM2G	KM2G	P32
	Rated torque	Nm			
Degree of protection - Front side, device fitted	Operating conditions	–	IP00	IP00	IP00
	Gripping lug cover A-U... (available separately) applied	–	IP2X	IP2X	IP2X
Operating conditions	Ambient temperature**	°C	-25 ... +55		
	Rated operating mode	–	Uninterrupted duty		
	Actuation	–	–		
	Mounting position	–	Vertical, horizontal		
	Altitude	m	< 2000		
	Pollution degree	–	3		
	Overvoltage category	–	III		

* with application of gPV fuse-links max. 250A: 46W

** 35°C normal temperature, at 55°C with reduced operating current



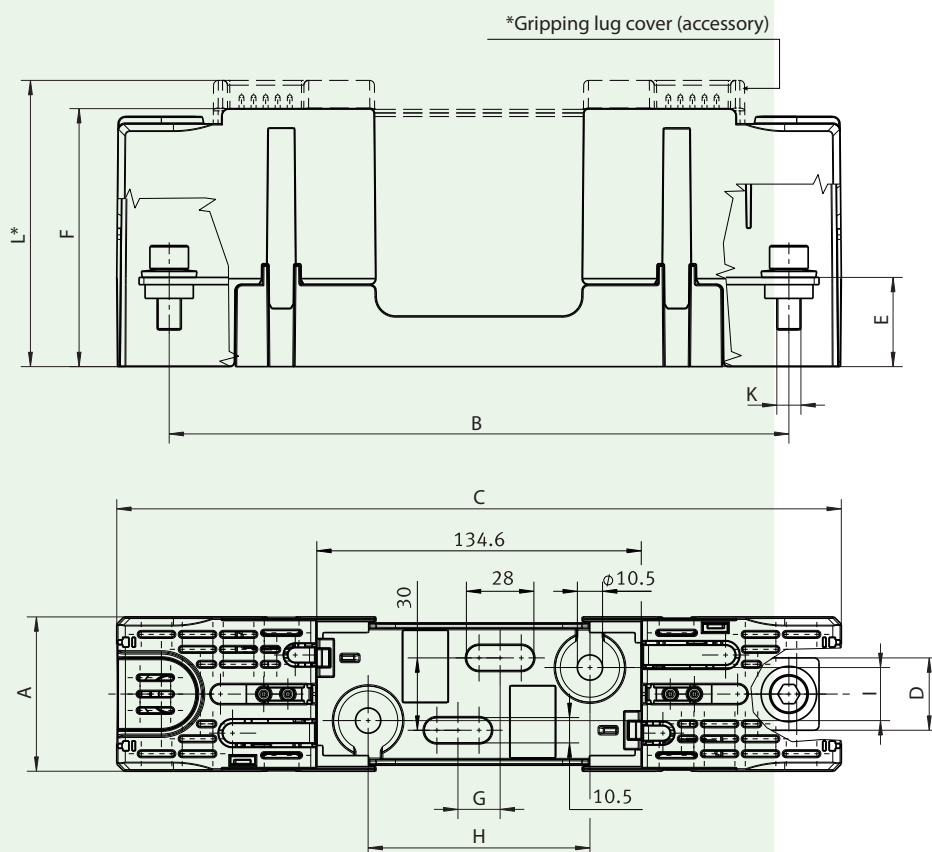
Fuse base U1...3/GZ/1500/H

Type	I _n [A]	Code No.	Max. Connection (mm ²)	Weight [g]	Packaging [pcs]
U1XL-1IGZ/1500/H	250	004122060	240	600	1
U2XL-1IGZ/1500/H	400	004122061	240	600	1
U3L-1IGZ/1500/H	630	004122062	300	1000	1

Accessories

Type	Code No.	Description	Weight [g]	Packaging [pcs]
K-U1XL-3L	004122063	Mechanical fuse monitoring	9	1
A-U1XL-2XL	004122064	Gripping lug cover	13	1
A-U3L	004122065	Gripping lug cover	32	1

Size	Dimensions [mm]										
	A	B	C	D	E	F	G	H	I	K	L*
U1XL-1IGZ/1500/H	59	257	300,5	30	37	102,5	175	92	22	M10	111
U2XL-1IGZ/1500/H	64	257	300,5	30	37	107	175	92	22	M10	119
U3L-1IGZ/1500/H	80	270	328	40	38	122,5	25	96	26	M12	1.345



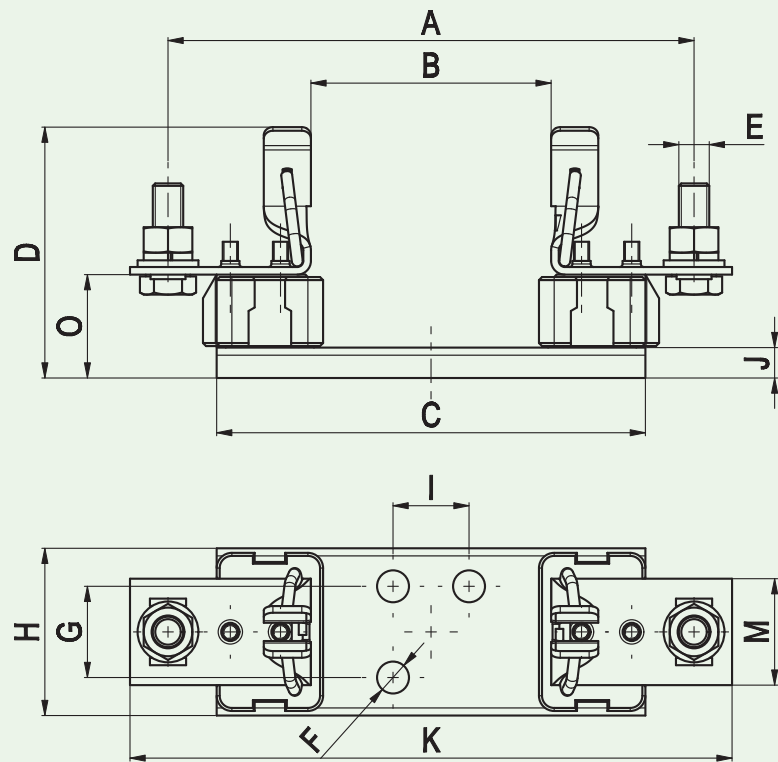
Fuse base PK0, 1, 2, 3 DC

General characteristics

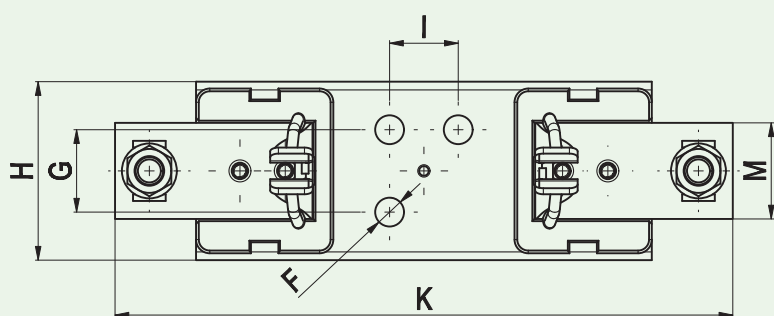
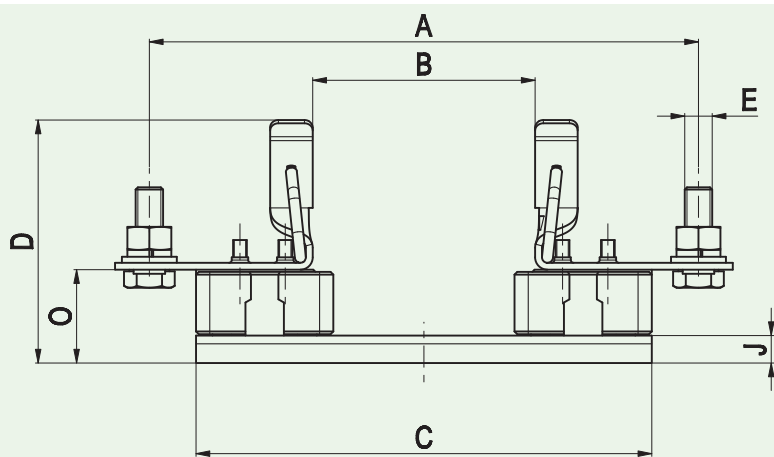
Rated voltage	1000V a.c./d.c.
Rated current	160A, 250A, 400A, 630A
Terminal torque	10 Nm, 32 Nm
Cable lugs according to DIN 46235	25-150mm ² , 25-240mm ² , 25-300mm ²
Insulation class	C-VDE 0110
Degree of protection	IP00
Standards	EN 60269, IEC 60269, DIN VDE 0636, DIN 43620, DIN 43623

Fuse base PK

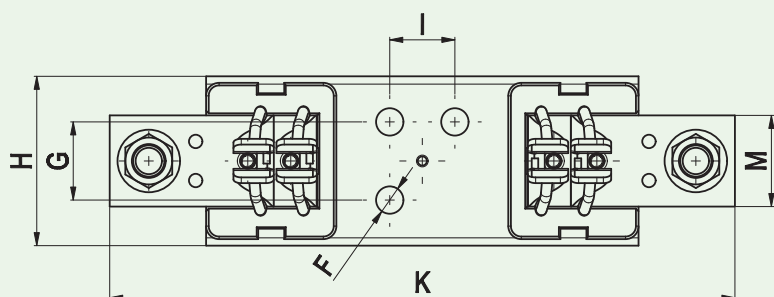
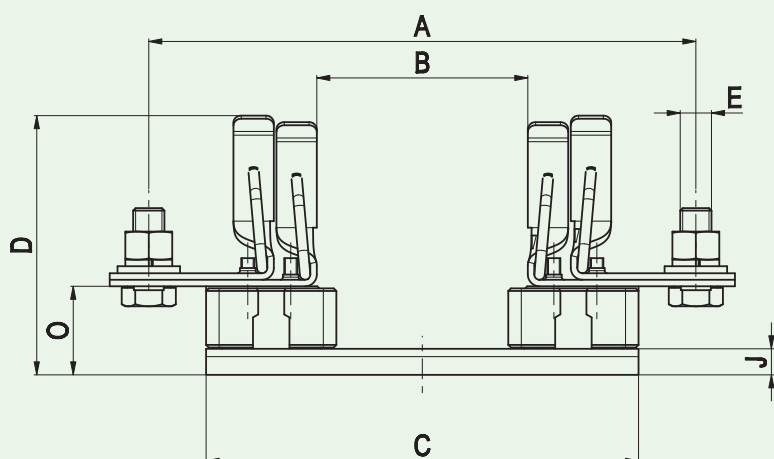
Type	I _n [A]	Cable lugs according to DIN 46235 [mm ²]	Code No.	Weight [g]	Packaging [pcs]
PK0 DC	160		004122033	258	3/90
PK 1 M10-M10 DC 1000V 1p	250	25-150	004122025	605	3/18
PK 2 M10-M10 DC 1000V 1p	400	25-240	004122024	845	3/15
PK 3 M12-M12 DC 1000V 1p	630	25-300	004122023	1110	3/12



PK0, 1 DC



PK2 DC



PK3 DC



Type	Dimensions [mm]												
	A	B	C	D	E	F	G	H	I	J	K	M	O
PK0 DC	150	74	130	60	M8-M8	Ø7,5	-	33	25	4,5	170	20	25
PK1 DC	175	80	141	82	M10-M10	Ø10,5	30	55,5	25	10	200	35	35
PK2 DC	200	80	166	87	M10-M10	Ø10,5	30	65	25	10	225	35	35
PK3 DC	210	80	166	99	M12-M12	Ø10,5	30	65	25	10	240	35	35

Fuse base U1-1 /GZ/PV

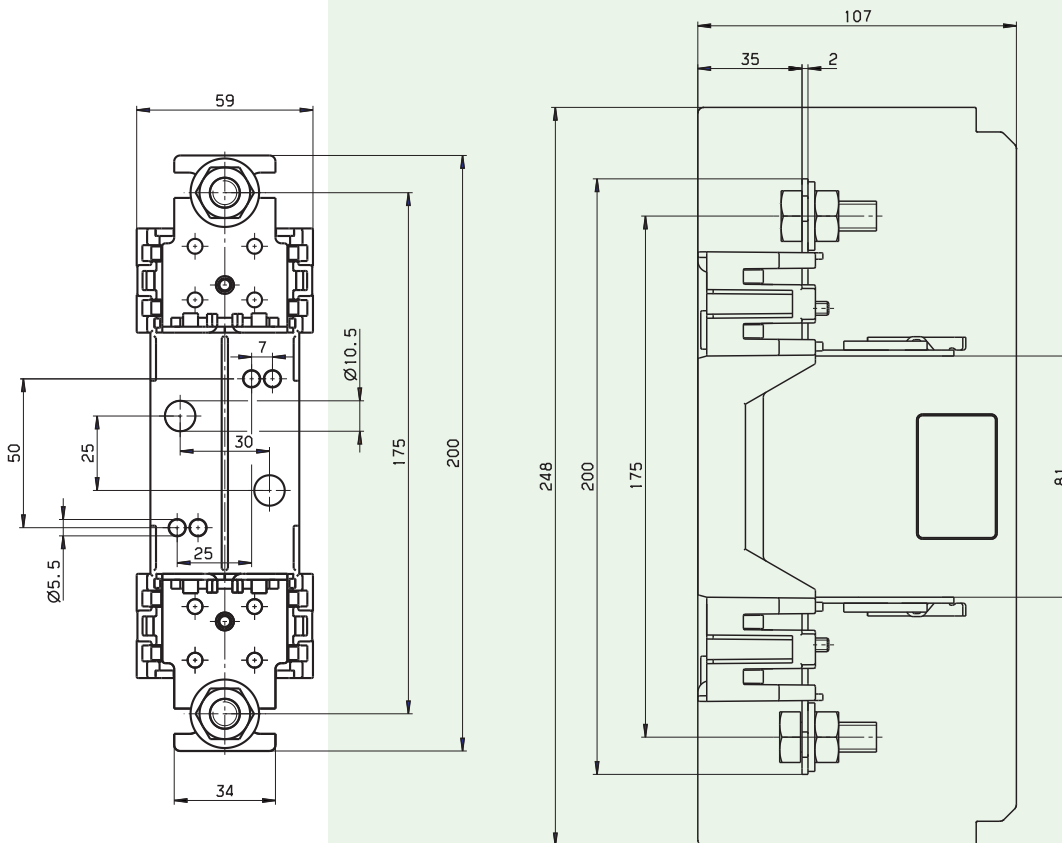


General characteristics

Rated voltage	1000V d.c.	
Rated current	160A	
Fuse link size	1C, 1	
Conv. free air thermal current with fuse-links	160A	
Conv. free air thermal current with solid links	325A	
Max. permis. power dissipation per fuse-link	31W	
Cable terminal - Flat terminal	Screw	M10
	Cable lug (DIN 46235)	25-150 mm ²
	Flat termination	30x10 mmx-mm
	Rated torque	30-35 Nm

Fuse base U1-1/GZ/PV

Type	I _n [A]	Code No.	Max. Connection (mm ²)	Weight [g]	Packaging [pcs]
U1-1/GZ/PV	160	004122035	150	387	1



Photovoltaic fuseholder TL1-1/9/1000V/PV

General characteristics

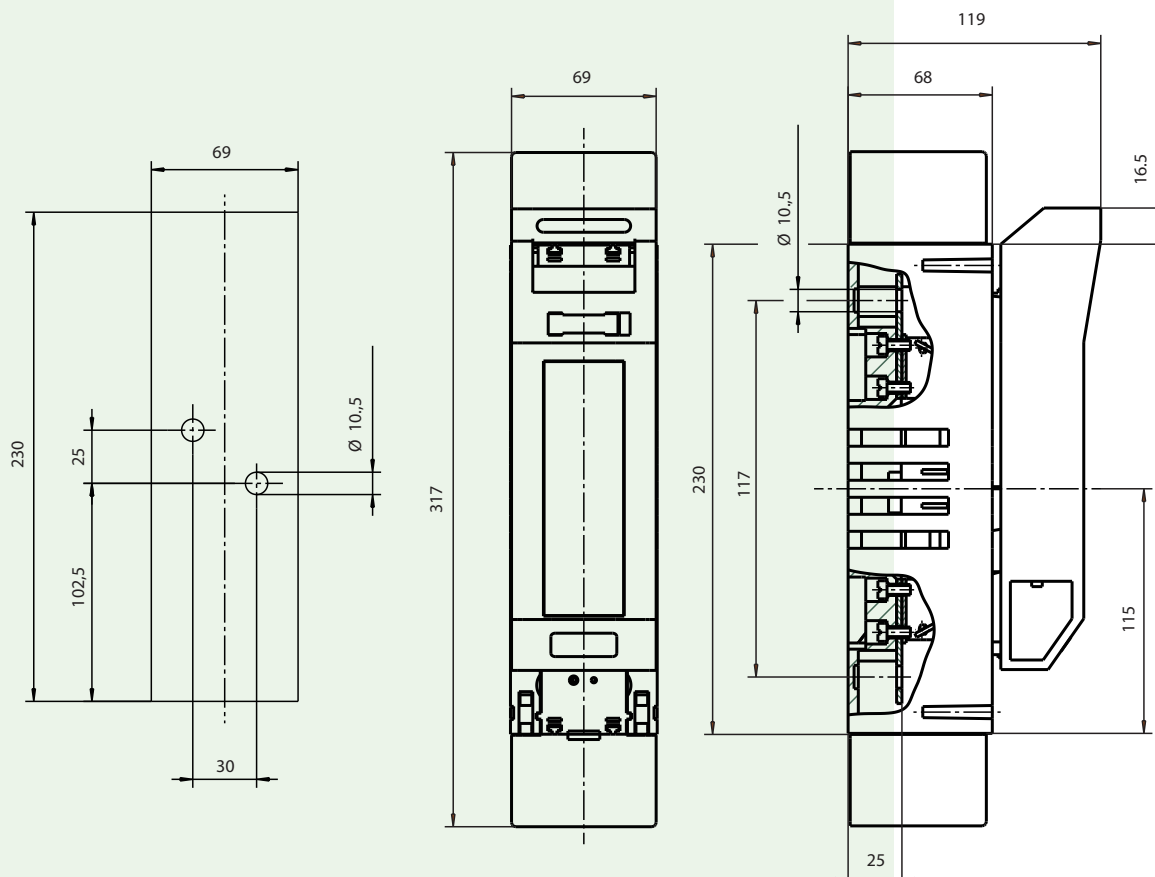
Number of poles	1	
Rated voltage	1000V d.c.	
Rated current	160A	
Conv. free air thermal current with fuse-links	160A	
Utilization category	DC-20B	
Fuse-links	Size to DIN 43620	1C, 1
	Max. rated current (gL/gG)	160A
	Max. permis. power loss per fuse-link	25W
Cable terminal - Flat terminal	Screw	M10
	Cable lug (DIN 46235)	25-240 mm ²
	Flat termination	30x10 mm
	Rated torque	30-35 Nm
Type of protection - front side, device fitted	IP20, IP10	
Operating conditions	Ambient temperature*	-25 ... +55
	Rated operating mode	Cont. operation
	Actuation	Dependent manual actuation
	Mounting position	Vertical, horizontal
	Altitude	≤ 2000 m
	Pollution degree	3
	Overvoltage category	III

*35°C normal temperature, 55°C with reduced operating current



Photovoltaic fuseholder TL1-1/9/1000V/PV

Type	I _n [A]	Code No.	Max. Connection (mm ²)	Terminal	Weight [g]	Packaging [pcs]
TL1-1/9/1000V/PV	160	004122038	150	M10	1070	1



Photovoltaic fuseholder TL1,3-1/9/1200V

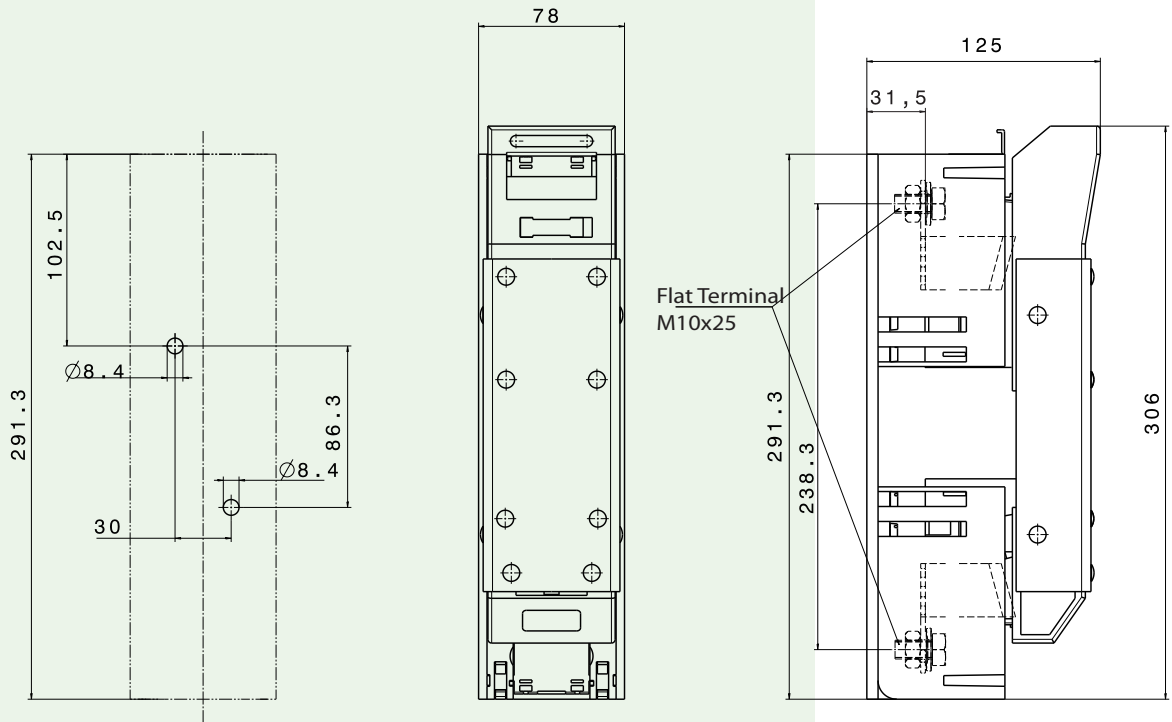
General characteristics			
Type		TL1/1200V	TL3/1200V
For NH fuse-links/extended length/acc. to DIN VDE 0636-2	Size	a1=194mm, a4=124mm	a1=209mm, a4=124mm
Rated voltage		1200V a.c. / 1000V d.c.	1200V a.c. / 1000V d.c.
Rated current		250A	630A
fuse link size		1XL	2XL, 3L
Conv. free air thermal current with fuse-links		250A	630A
Conv. free air thermal current with solid links		325A	1000A
Rated frequency		40-60 Hz	40-60Hz
Utilization category		AC-20B, DC-20B	AC-20B, DC-20B
Max. permis. power loss per fuse-link		25W	70W
Cable terminal - Flat terminal	Bolt diameter	M10	M12
	Cable lug (DIN 46235)	25-150 mm ²	25-300 mm ²
	Flat bar	30x10 mm	40x10 mm
	Rated torque	30-35 Nm	30-35 Nm
Type of protection - front side, device fitted	Switching cover close	IP20	IP20
	Switching cover open	IP10	IP10
Operating conditions	Ambient temperature*	-25 ... +55	
	Rated operating mode	Cont. operation	
	Actuation	Dependent manual operation	
	Mounting position	Vertical, horizontal	
	Altitude	≤ 2000 m	
	Pollution degree	3	
	Overvoltage category	III	

*35°C normal temperature, 55°C with reduced operating current

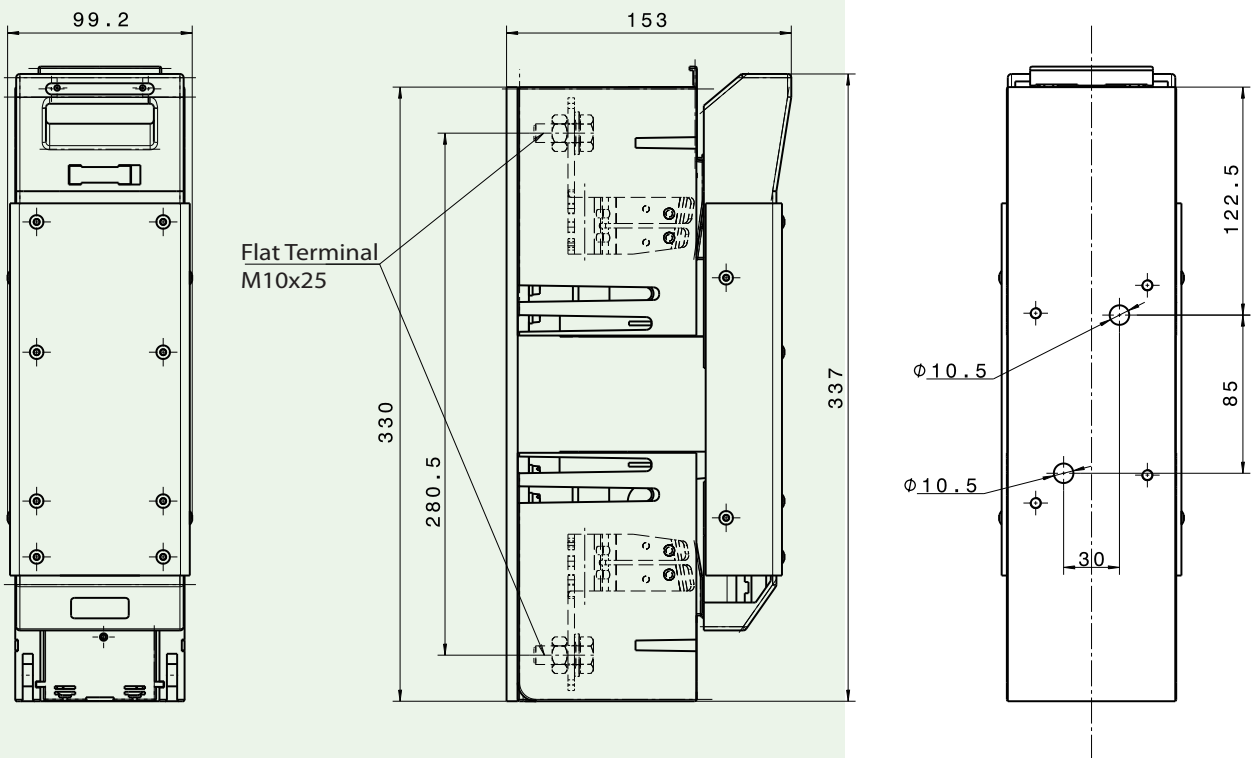


Photovoltaic fuseholder TL1,3-1/9/1200V						
Type	I _n [A]	Code No.	Max. Connection (mm ²)	Terminal	Weight [g]	Packaging [pcs]
TL1-1/9/1200V	250	004122036	150	M10	1485	1
TL3-1/9/1200V	630	004122037	300	M12	2535	1

TL1-1/9/1200V



TL3-1/9/1200V



NH strip-fuseways L2,3-2 / 1200V

General characteristics

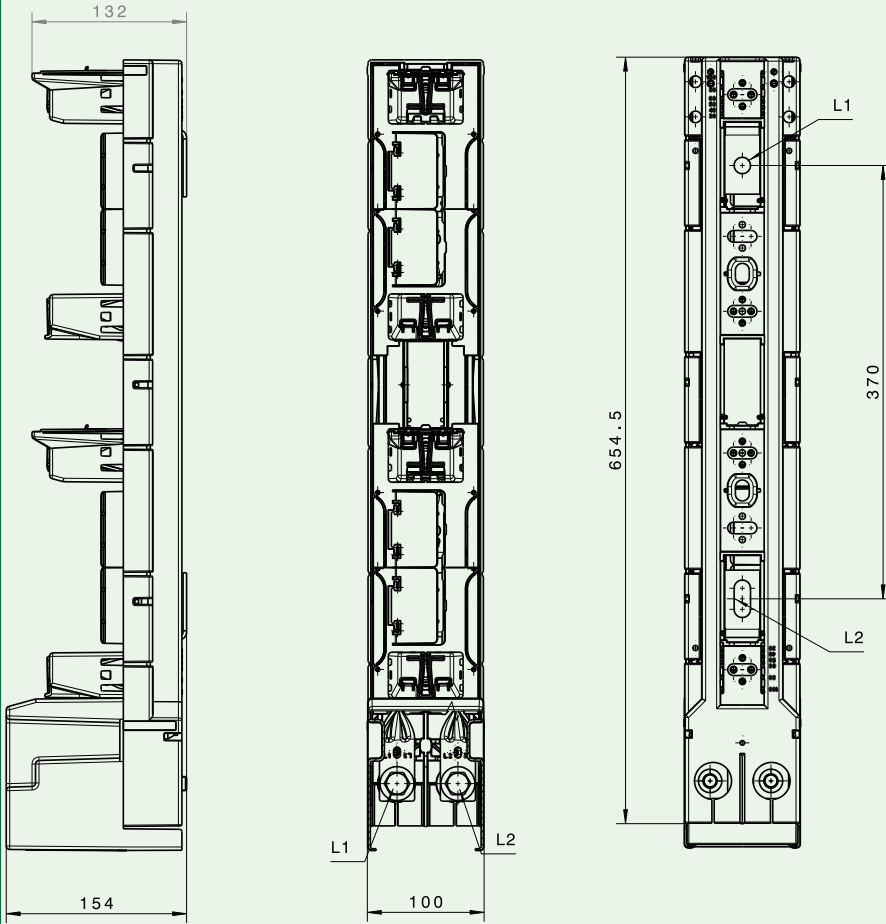
Type		L2	L3
For NH fuse-links acc. to IEC 60269-6	Size	2 (extended body)	3 (extended body)
Rated voltage		1200V d.c.	1200V d.c.
Rated current		250A	400A
fuse link size		1XL, 2XL	3L
Conv. free air thermal current with fuse-links		250A	400A
Rated insulation voltage		1200V d.c.	1200V d.c.
Max. permis. power loss per fuse-link		46W	75W
Cable terminal	Flat terminal	Bolt diameter	M12
		Cable lug (DIN 46235)	1 x 25-240 mm ²
		Flat bar	30x10 mm
		Tightening torque	35-40 Nm
	Clamp KM2G	Clamping cross-section	25-150mm ² /185-300mm ²
		Tightening torque	32 Nm
	Clamp KM2G-F	Clamping cross-section	25-240 mm ²
		Tightening torque	32 Nm
Type of protection - front side, device fitted - with front side strip cover		IP10	IP10
Operating conditions	Ambient temperature*	-25 ... +55	
	Rated operating mode	Cont. operation	
	Actuation	Dependent manual operation	
	Mounting position	Vertical	
	Altitude	≤ 2000 m	
	Pollution degree	3	
	Overvoltage category	III	

*35°C normal temperature, 55°C with reduced operating current

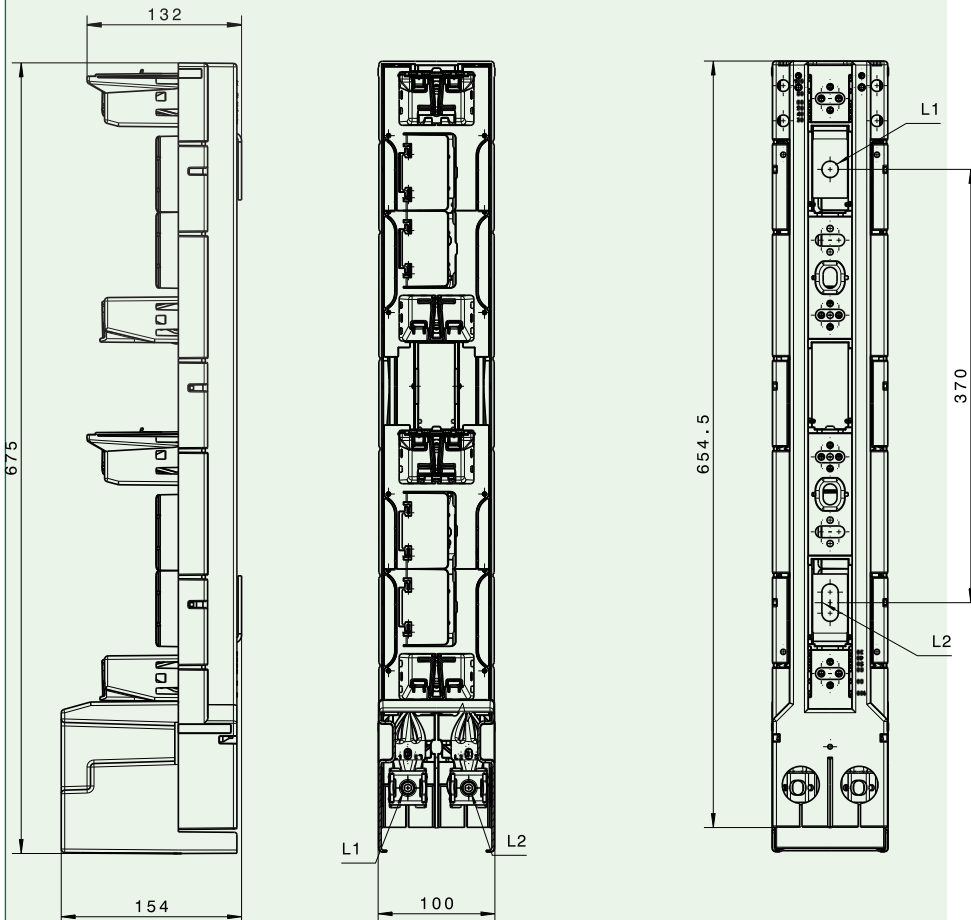
NH strip-fuseways L2,3-2/1200V

Type	I _n [A]	Code No.	Max. Connection (mm ²)	Terminal	Weight [g]	Packaging [pcs]
L2-2/1200/3A/HA/PV	250	004122039	25-240	Flat terminal M12	3500	1
L2-2/1200/9/KM2G-F/HA/PV	250	004122040	25-240	Steel-frame clamp KM2G-F	3650	1
L3-2/1200/3A/HA/PV	400	004122041	25-240	Flat terminal M12	4110	1
L3-2/1200/9/KM2G-F/HA/PV	400	004122042	25-240	Steel-frame clamp KM2G-F	4260	1

Flat terminal M12



Steel-frame clamp KM2G-F

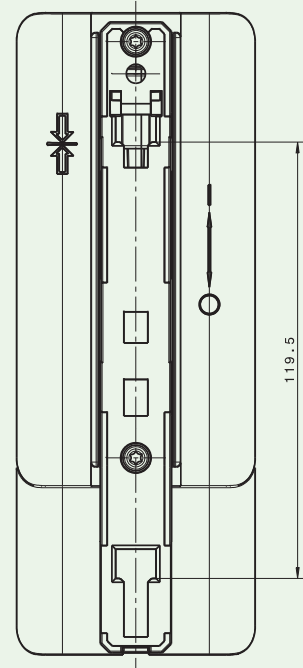
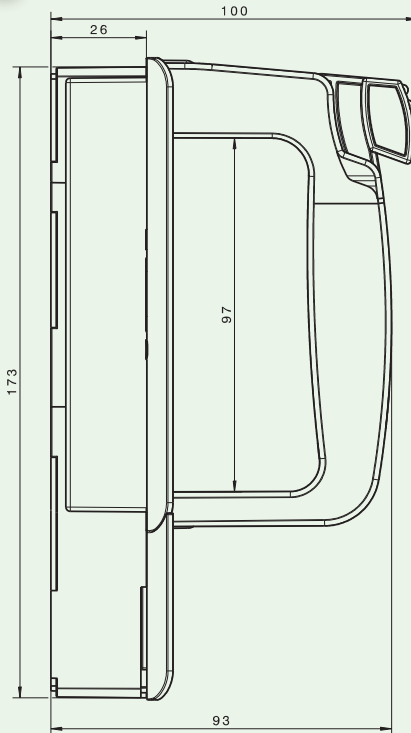
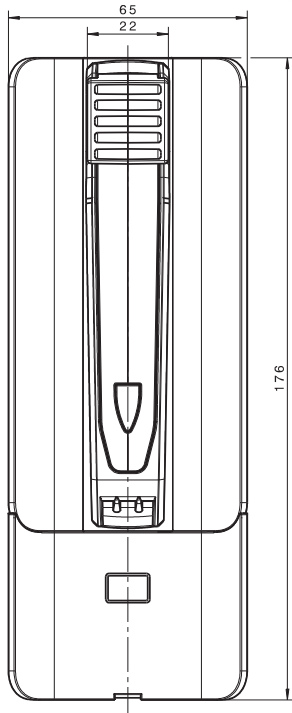


NH handle



NH handle for fuse link DC 1100V and DC 1500V

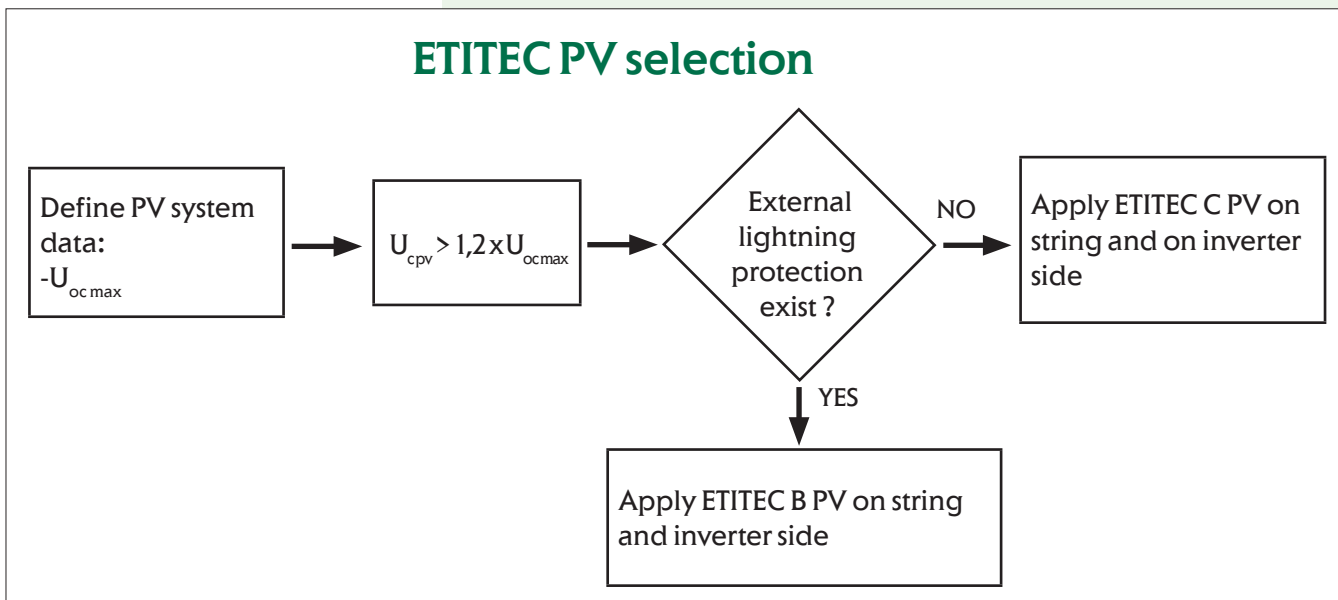
Code	Type	Weight [g]	Packaging [pcs]
001691062	GPN 1500	590	1



ETITEC - Lightning and Surge Arresters

Overvoltage protection selection

ETITEC PV selection



NEW! acc. to EN 50539-11:2013

ETITEC M T12 PV Y series of overvoltage surge protective devices has been developed to protect against direct and indirect discharges and is intended to protect photovoltaic systems. The circuit topology consist of three varistors stages each protected by a thermal disconnection device.

Advantages:

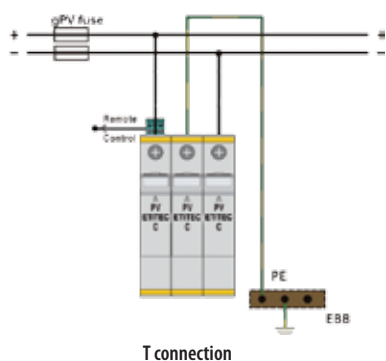
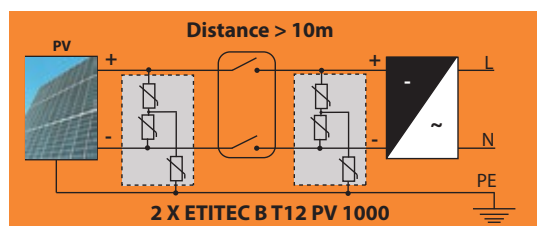
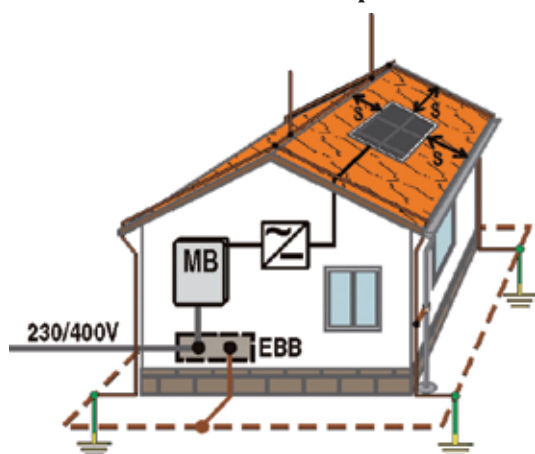
- optical indication of faulty device (green ok, red false)
- remote signalisation (RC version only)
- DIN rail mounting (EN 60715)
- high discharge currents and high degree of protection
- MOV varistor is the protective element
- metal snapper, new way of mounting on DIN rail (easier, quicker)
- modular design
- EN 50539-11: 2013
- RoHS compliant
- connection up to 35mm²

Location of Use: String box, Inverter
 Mode of Protection:(+) - PE, (-) - PE, (+) - (-)
 Surge Ratings: I_{Total} =up to 12.5 kA (10/350 μs)
 I_{Total} =up to 50 kA (8/20 μs)
 EN Category: Type 1+2
 Protective Elements: High Energy MOV
 Housing: Pluggable Design
 Compliance: EN 50539-11:2013+A1:2014

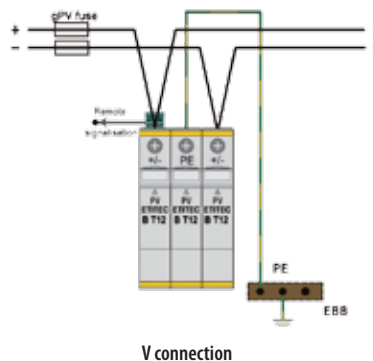


ETITEC MT12 PV 1100/12,5 Y RC

ETITEC M T12 PV Y for photovoltaic system on a building with External Lightning Protection



T connection



V connection

Note: If distance between string and inverter is less than 10 m, then you need only one ETITEC B T12 PV.

ETITEC M T12 PV

Type	Code No.	Max PV voltage U_{cpv} [V DC]	I_{scpv} [kA]	I_{total} (10/350) [kA]	I_{imp} [kA]	I_n [kA]	Weight [g]	Packaging [pcs]
ETITEC M T12 PV 1100/12,5 Y	002440511	1100	11	12,5	6,25	20	453	1/5
ETITEC M T12 PV 1100/12,5 Y RC	002440512	1100	11	12,5	6,25	20	462	1/5
ETITEC M T12 PV 1500/10 Y	002440513	1500	11	10	5	20	488	1/5
ETITEC M T12 PV 1500/10 Y RC	002440514	1500	11	10	5	20	497	1/5



ETITEC MT12 PV 1500/10 Y

*RC - remote contact for remote signalisation of bad module (to be replaced)

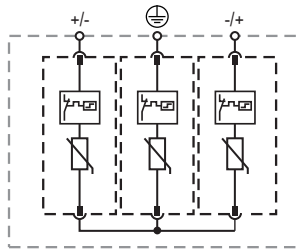
Spare (replacement) modules

Type	Code No.	Compatible with	Weight [g]	Packaging [pcs]
MOD. MT12 PV 550/12,5	002440519	ETITEC MT12 PV 1100/12,5 Y (RC)	71	1/28
MOD. MT12 PV 550/6,25*	002440520	ETITEC MT12 PV 1100/12,5 Y (RC)	127	1/28
MOD. MT12 PV 750/10	002440521	ETITEC M T12 PV 1500/10 Y (RC)	87	1/28
MOD. MT12 PV 750/5*	002440522	ETITEC M T12 PV 1500/10 Y (RC)	13	1/28

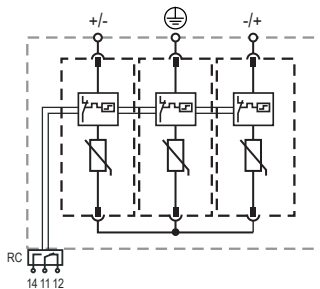
*left or right module (Y connection)

Technical data

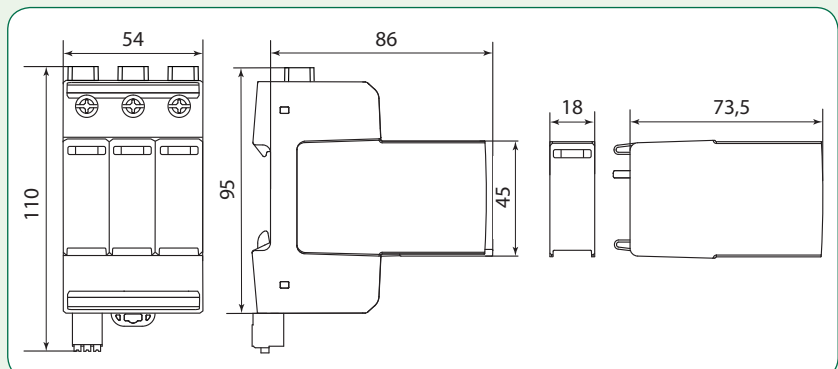
Type	ETITEC M T12 PV 1100/12,5 Y	ETITEC M T12 PV 1500/12,5 Y
	T1, T2 / I, II / B, C	
Maximum Continuous Operating DC Voltage	1100 V	1500V
Nominal Discharge Current (8/20 μ s)	20 kA	20 kA
Total Discharge Current (8/20 μ s)	50 kA	40 kA
Impulse Discharge Current (10/350)	6,25 kA	5 kA
Total Discharge Current (10/350 μ s)	12,5 kA	10 kA
Specific Energy	39 kJ/ Ω	39 kJ/ Ω
Charge	3,125 As	2,5 As
Voltage Protection Level	< 3,8 kV	< 5 kV
Response Time	< 25 ns	
Number of Ports	1	
Thermal Protection	✓	
Short-Circuit Current Rating	11 kA	
Operating Temperature Range	- 40°C ... +85°C	
Permissible Operating Humidity	5% - 95%	
Altitude (max)	4000 m	
Operating State / Fault Indication	Green Flag / Not Green Flag	
Conductor Cross Section (max)	35 mm ² (Solid, Stranded) / 25 mm ² (Flexible)	
Terminal Screw Torque	max. 4,5 Nm	
Mounting	35 mm DIN Rail, EN 60715	
Degree Of Protection	IP20	
Housing Material	Thermoplastic: Extinguishing Degree UL 94 V-0	
Size	3 modules	
Remote contacts - type ...RC		
Contacts ratings	AC: 250V/1A; 125V/1A; DC: 48V/0,5A, 24V/0,5A, 12V/0,5A	
Terminal cross section	Max. 1,5 mm ²	
Terminal screw torque	0,25 Nm	
Standards	EN 50539-11:2013+A1:2014	



ETITEC MT12 PV ... Y



ETITEC MT12 PV ... Y RC



NEW! acc. to EN 50539-11:2013

ETITEC M T2 PV Y series of overvoltage surge protective devices has been developed to protect against indirect discharges and is intended to protect photovoltaic systems. The circuit topology consist of two (three) varistors stages each protected by a thermal disconnection device.

Advantages:

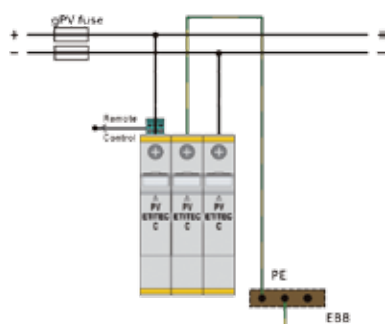
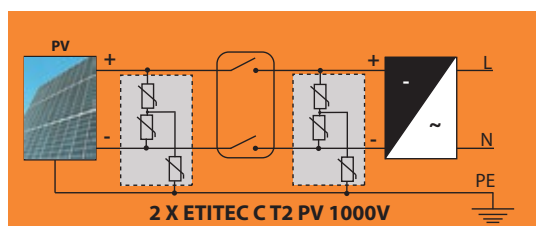
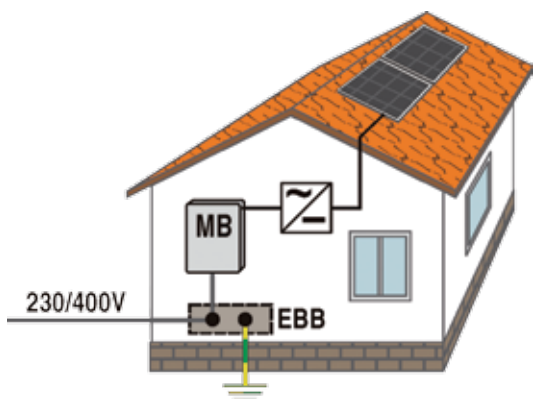
- optical indication of faulty device (green ok, red false)
- remote signalisation (RC version only)
- DIN rail mounting (EN 60715)
- high discharge currents and high degree of protection
- MOV varistor is the protective element
- metal snapper, new way of mounting on DINrail (easier, quicker)
- modular design
- EN 50539-11:2013
- RoHS compliant
- connection up to 35mm²

Location of Use: String box, Inverter
 Mode of Protection:(+) - PE, (-) - PE, (+) - (-)
 Surge Ratings: I_{Total} =up to 20 kA (8/20 μ s)
 I_{Total} =up to 50 kA (8/20 μ s)
 EN Category: Type 2
 Protective Elements: High Energy MOV
 Housing: Pluggable Design
 Compliance: EN 50539-11:2013+A1:2014

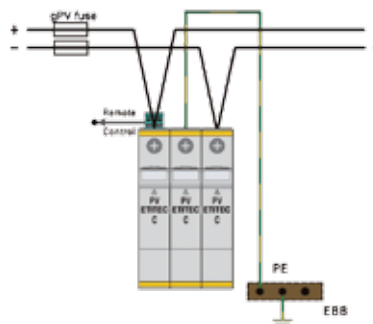


ETITEC MT2 PV 1500/20 Y RC

ETITEC M T2 PV Y for photovoltaic system on a building without External Lightning Protection



T connection ETITEC C T2 PV

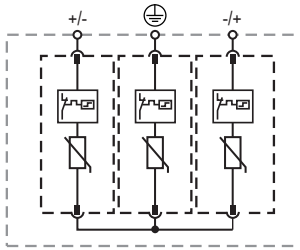


V connection ETITEC C T2 PV

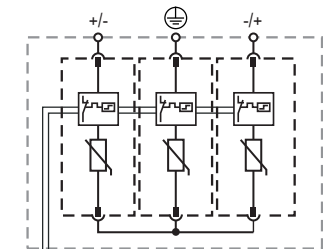
Note: If distance between string and inverter is less than 10 m, then you need only one ETITEC (C) T2 PV.



ETITEC M T2 PV 1100/20 Y



ETITEC M T2 PV ... Y



ETITEC M T2 PV ... Y RC

ETITEC M T2 PV

Type	Code No.	Max PV voltage U_{cpv} [V DC]	I_{scpv} [kA]	I_n/I_{max} [kA]	Weight [g]	Packaging [pcs]
ETITEC M T2 PV 1100/20 Y	002440515	1100	11	20/40	396	1/5
ETITEC M T2 PV 1100/20 Y RC	002440516	1100	11	20/40	406	1/5
ETITEC M T2 PV 1500/20 Y	002440517	1500	11	20/30	444	1/5
ETITEC M T2 PV 1500/20 Y RC	002440518	1500	11	20/30	454	1/5

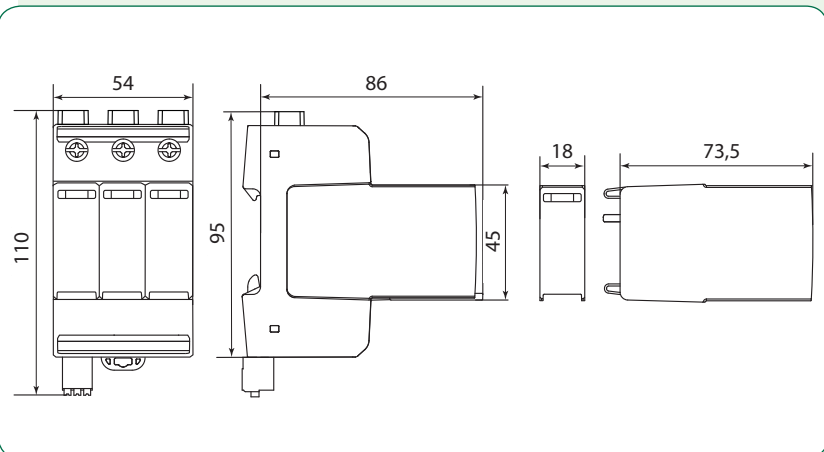
*RC - remote contact for remote signalisation of bad module (to be replaced)

Spare (replacement) modules

Type	Code No.	Compatible with	Weight [g]	Packaging [pcs]
MOD. M T2 PV 550/20	002440523	ETITEC M T2 PV 1100/20 Y (RC)	0,071	1/28
MOD. M T2 PV 750/20	002440524	ETITEC M T2 PV 1500/20 Y (RC)	0,087	1/28

Technical data

Type	ETITEC M T2 PV 1100/20 Y	ETITEC M T2 PV 1500/20 Y
	T2 / II / C	
Maximum Continuous Operating DC Voltage	1100 V	1500V
Nominal Discharge Current (8/20 μ s)	20 kA	20 kA
Maximum Discharge Current (8/20 μ s)	40 kA	30 kA
Total Discharge Current	50 kA	40 kA
Voltage Protection Level	< 3,8 kV	< 5 kV
Response Time	< 25 ns	
Number of Ports	1	
Thermal Protection	✓	
Short-Circuit Current Rating	11 kA	
Operating Temperature Range	- 40°C ... +85°C	
Permissible Operating Humidity	5% - 95%	
Altitude (max)	4000 m	
Operating State / Fault Indication	Green Flag / Not Green Flag	
Conductor Cross Section (max)	35 mm ² (Solid, Stranded) / 25 mm ² (Flexible)	
Terminal Screw Torque	max. 4,5 Nm	
Mounting	35 mm DIN Rail, EN 60715	
Degree Of Protection	IP20	
Housing Material	Thermoplastic: Extinguishing Degree UL 94 V-0	
Size	3 modules	
Remote contacts - type ...RC		
Contacts ratings	AC: 250V/1A; 125V/1A; DC: 48V/0,5A, 24V/0,5A, 12V/0,5A	
Terminal cross section	Max. 1,5 mm ²	
Terminal screw torque	0,25 Nm	
Standards	EN 50539-11:2013+A1:2014	



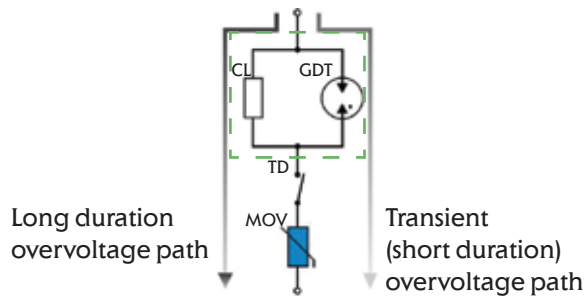


Advantages:

- Current limiting for long duration; overvoltage path through MOV - no degradation, long life guaranteed
- Improved thermal disconnection mechanism - rotating barrier, secure arcing shutdown, no risk of fire

5 YEAR WARRANTY!

NEW DESIGN-IMPROVED TECHNOLOGY



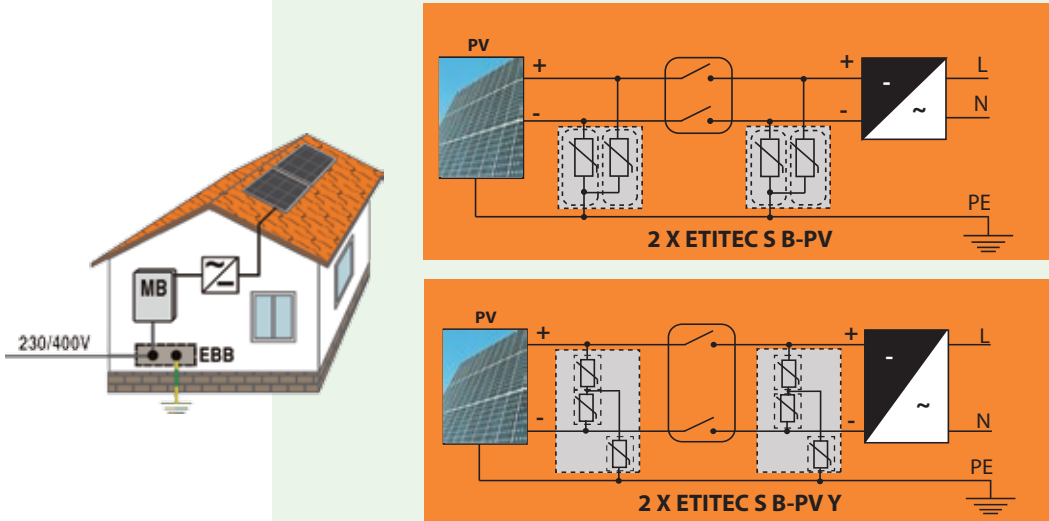
- Gas Discharge Tube - GDT
- Current Limiter - CL
- Thermal Disconnect - TD
- Metal Oxide Varistor - MOV



ETITEC S B-PV (IEC/EN/VDE: I, II/1,2/B+C) with $I_{imp} = 12,5 \text{ kA/pole}$

ETITEC S B-PV series of overvoltage surge protective devices has been developed to protect against direct and indirect lightning discharges and is intended to protect photovoltaic systems. The circuit topology consist of two(V configuration) or three(Y configuration) varistor stages each protected by a thermal disconnection device.

ETITEC S B-PV for photovoltaic system on a building with External Lightning Protection



Note: If distance between string and inverter is less than 10 m, then you need only one SPD

General characteristics

Category IEC/EN/VDE Class I, II/Type 1,2/B+C	High surge discharge ratings: $I_{imp} = 12,5 \text{ kA/pole}$ $I_{max} = 40 \text{ kA/pole}$
Location of use: PV systems	Internal protection and safety: Current limiter, GDT and thermal disconnecter with arc cutter for each MOV block
Protective element : High Energy MOVs	Status indication: Mechanical flag + remote signalization contacts (RC)



ETITEC S B - PV

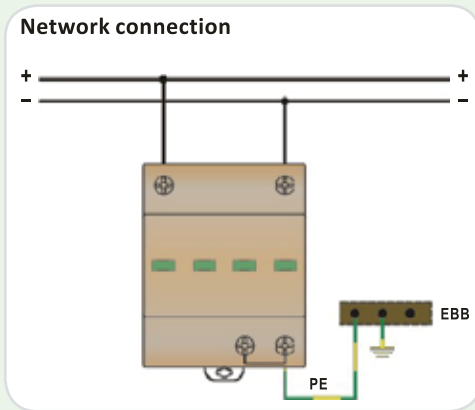
Type	Code No.	U_{OV} [V DC]	I_{imp} [kA]	I_n/I_{max} [kA]	Weight [g]	Packaging [pcs]
ETITEC S B-PV 300/12,5	002440258	300	12,5	20/40	147	3
ETITEC S B-PV 300/12,5 RC	002440259	300			149	3
ETITEC S B-PV 600/12,5	002440260	600			154	3
ETITEC S B-PV 600/12,5 RC	002440261	600			155	3
ETITEC S B-PV 600/12,5 Y	002440262	600			295	2
ETITEC S B-PV 600/12,5 Y RC	002440263	600			300	2
ETITEC S B-PV 1000/12,5	002440264	1000			267	3
ETITEC S B-PV 1000/12,5 RC	002440265	1000			269	3
ETITEC S B-PV 1000/12,5 Y	002440266	1000			315	2
ETITEC S B-PV 1000/12,5 Y RC	002440267	1000			320	2
ETITEC S B-PV 1200/12,5 Y	002440268	1200			550	2
ETITEC S B-PV 1200/12,5 Y RC	002440269	1200			555	2
ETITEC S B-PV 1500/12,5 Y	002440270	1500			580	2
ETITEC S B-PV 1500/12,5 Y RC	002440271	1500			585	2

*RC - Remote signalization contacts

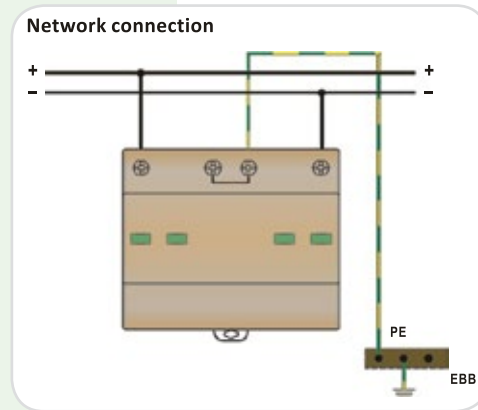
$U_c > 1,2 \times U_{ocstc}$ (open circuit voltage under standard test conditions)

LF - Leakage free version available upon request

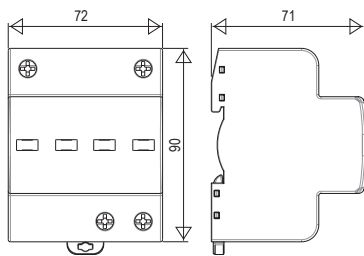
V configuration
ETITEC S B-PV U_c/I_{imp}



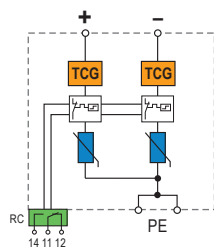
Y configuration
ETITEC S B-PV U_c/I_{imp} Y



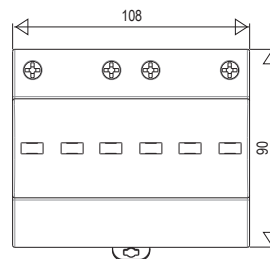
Dimensions



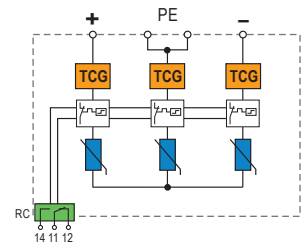
Internal configuration



Dimensions



Internal configuration



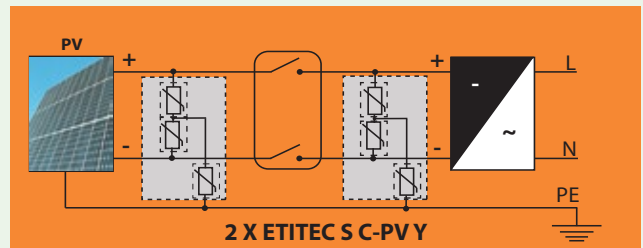
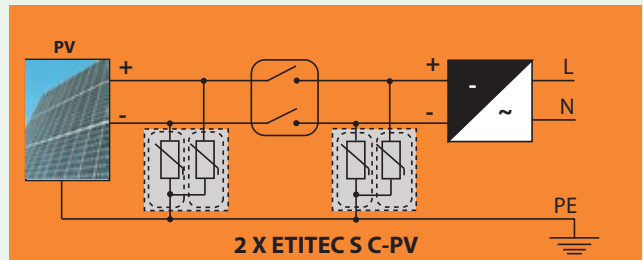
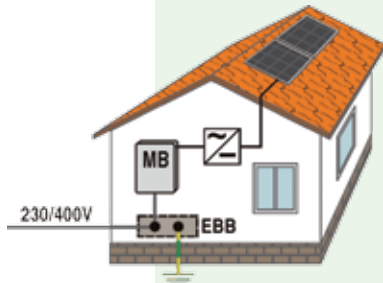
Technical data

Type	ETITEC S B-PV U _c /I _{imp}			ETITEC S B-PV U _c /I _{imp} Y			
	300	600	1000	600	1000	1200	1500
Electrical characteristics							
Max. continuous operating voltage U _{cpv} (DC)	300V	600V	1000V	600V	1000V	1200V	1500V
Nominal discharge current I _n (8/20)	20kA			20kA			
Max. discharge current I _{max} (8/20)	40kA			40kA			
Impulse current I _{imp} (10/350)	12,5kA			12,5kA			
Short circuit withstand I _{scpv}	200A						
Protection level U _p	< 1.5kV	< 2.2kV	< 2.8kV	< 3.0kV	< 3.3kV	< 3.8kV	< 4.5kV
Residual voltage at I _{imp} U _{res}	< 1.3kV	< 2.0kV	< 2.6kV	< 3.0kV	< 3.3kV	< 3.8kV	< 4.5kV
Follow current I _f	x						
Response time t _A	< 25ns						
Thermal protection	✓						
Mechanical characteristics							
Temperature range	-40°C ... +80°C						
Terminal screw torque	max. 4.5Nm						
Terminal cross section	35mm ² (solid)/25mm ² (stranded)						
Mounting EN 60715	35mm top-hat rail						
Degree of protection	IP 20						
Housing material	Thermoplastic; extinguishing degree UL 94 V-0						
Remote contacts	✓						
Contact ratings	AC: 250V/0.5A; 125V/3A						
Terminal cross section	max. 1.5mm ²						
Remote terminal torque	0.25Nm						

ETITEC S C-PV (EN/IEC/VDE: T2, II, C) with $I_n=20\text{kA/pole}$

ETITEC S C-PV series of overvoltage surge protective devices has been developed to protect against indirect discharges and is intended to protect photovoltaic systems. The circuit topology consist of two (V configuration) or three (Y configuration) varistor modules, each protected by a thermal disconnection device. For additional protection, modules have built in current limiter, high performance GDT, thermal control function and mechanical arc prevention (cutter).

ETITEC S C-PV for photovoltaic system on a building without External Lightning Protection



Note: If distance between string and inverter is less than 10 m, then you need only one SPD

Technical data	ETITEC S C-PV xxxxx/20				ETITEC S C-PV XXXXX/20 Y		
	75	300	600	1000	1000	1200	1500
In accordance with	EN 50539-11						
Max. continuous operating voltage U_{cpv} (DC)	75V	300V	600V	1000 V	1000 V	1200 V	1500 V
Nominal discharge current I_n (8/20)	20 kA	20 kA	20 kA	20 kA	20 kA	20 kA	20 kA
Max. discharge current I_{max} (8/20)	40 kA	40 kA	40 kA	40 kA	40 kA	40 kA	40 kA
Protection level U_p at I_n (8/20)	< 0,6 kV	< 1,6 kV	< 2,2 kV	< 2,8 kV	< 4,0 kV	< 4,4 kV	< 4,8kV
Short circuit withstand I_{scpv}	200A						
Follow current I_f	No						
Response time t_A	< 25 ns						
Thermal protection	yes						
Temperature range	-40°C ... +80°C						
Terminal cross section	35 mm ² (solid) / 25 mm ² (stranded)						
Terminal screw torque	Max. 3,0 Nm						
Mounting EN 60715	35 mm top-hat rail						
Degree of protection	IP20						
Housing material	Thermoplastic, extinguishing degree UI 94 V-0						
Dimensions DIN 43880	2 TE	2 TE	2 TE	2 TE	3 TE	3 TE	3 TE
Remote contacts - type ...RC							
Contacts ratings	AC 250 V / 0,5 A; 125 V / 3 A						
Terminal cross section	Max. 1,5 mm ²						
Terminal screw torque	0,25 Nm						
Packaging dimensions (WxHxL)	76,5 mm x 41,5 mm x 109 mm				76,5 mm x 60 mm x 109 mm		

I_n/I_{max} value can be changed according to standard demands

General characteristics

Category IEC/EN/VDE Class II/Type 2/C	High surge discharge ratings: $I_n = 20\text{kA}/\text{per pole}$, $I_{max} = 40\text{kA}/\text{per pole}$
Location of use: PV systems	Internal protection and safety: Current limiter, GDT and thermal disconnecter with arc cutter for each MOV block
Protective element : High Energy MOVs	Status indication: Mechanical flag + remote signalization contacts (RC)

ETITEC S C - PV

Type	Code No.	U_{cpv} [V DC]	I_n/I_{max} [kA]	Weight Estimated [g]	Packaging [pcs]
ETITEC S C-PV 75/20 RC	002445301	75	20/40	132	1
ETITEC S C-PV 75/20	002445302	75		130	1
ETITEC S C-PV 300/20 RC	002445303	300		202	1
ETITEC S C-PV 300/20	002445304	300		200	1
ETITEC S C-PV 600/20 RC	002445305	600		280	1
ETITEC S C-PV 600/20	002445306	600		278	1
ETITEC S C-PV 1000/20 RC	002445307	1000		290	1
ETITEC S C-PV 1000/20 Y RC	002445307	1000		398	1
ETITEC S C-PV 1000/20	002445308	1000		288	1
ETITEC S C-PV 1000/20 Y	002445309	1000		396	1
ETITEC S C-PV 1200/20 Y RC	002445310	1200		386	1
ETITEC S C-PV 1200/20 Y	002445311	1200		388	1
ETITEC S C-PV 1500/20 Y RC	002445312	1500		402	1
ETITEC S C-PV 1500/20 Y	002445313	1500	400	1	
MODULES					
MOD.ETITEC S C-PV 75/20	002445320	75		78	12
MOD.ETITEC S C-PV 300/20	002445321	300		78	12
MOD.ETITEC S C-PV 600/20	002445322	600		78	12
MOD.ETITEC S C-PV 1000/20	002445323	1000		78	12
MOD.ETITEC S C-PV 1000/20 Y	002445324	1000		78	12
MOD.ETITEC S C-PV 1200/20 Y	002445325	1200		78	12
MOD.ETITEC S C-PV 1500/20 Y	002445326	1500		78	12

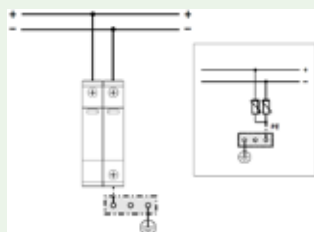
*RC - Remote signalization contacts

$U_c > 1,2 \times U_{ocstc}$ (open circuit voltage under standard test conditions)

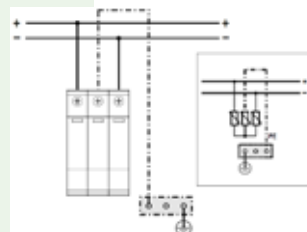
For signal, control lines and communication SPD protection (Ethernet, RS485) check our catalogue Building and industry(1+2) under program group ETITEC



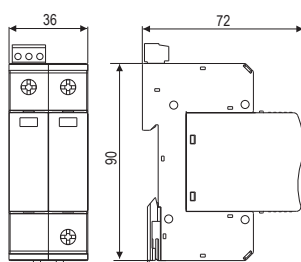
ETITEC S C-PV 75...1000/20
V configuration



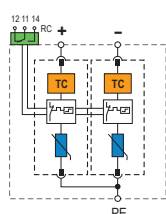
ETITEC S C-PV 1000...1500/20 Y
Y configuration



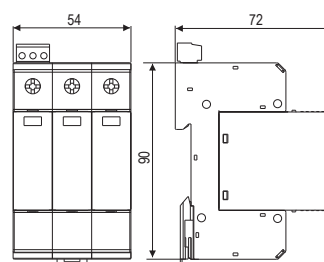
Dimensions



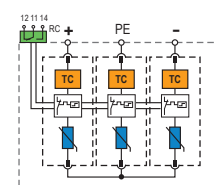
Internal configuration



Dimensions



Internal configuration



ETITEC V T2 690V (EN/IEC/VDE: T2/II/C)

ETITEC V series of overvoltage surge protective devices has been developed to protect the new generation PV network inverters with an output voltage of 800V. The circuit topology consist of three (four) parallel-connected varistor modules. Each pole is equipped with a visual indication.

Advantages:

Type 2 AC Surge Protector DS4x S-xxx/G

- I_n : 20 kA
- I_{max} : 40 kA
- Pluggable module for each phase
- Remote signaling option
- IEC 61643-11 and EN 61643-11 compliance
- UL1449 ed.4



ETITEC V T2 690/20 3+0 RC

ETITEC V T2

Type	Code No.	I_n/I_{max} [kA]	U_{cpv} [V DC]	Network	Weight [g]	Packaging [pcs]
ETITEC V T2 690/20 3+0 RC	002442988	20/40	750	TNC	319	1/24
ETITEC V T2 690/20 4+0 RC	002442989	20/40	750	TNC-S	420	1/18

Designation:

ETITEC V T2 xxx/20 p+c RC

xxx - voltage U_c (max. operating voltage AC), must be above the mains voltage

20 - 20kA (8/20us)

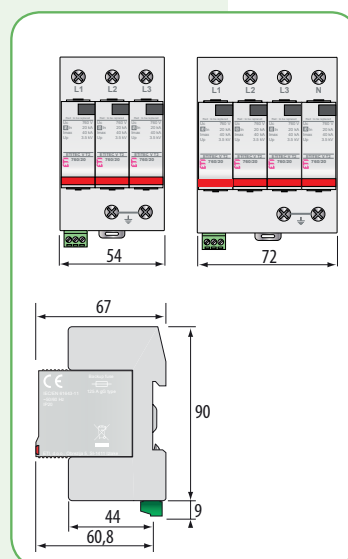
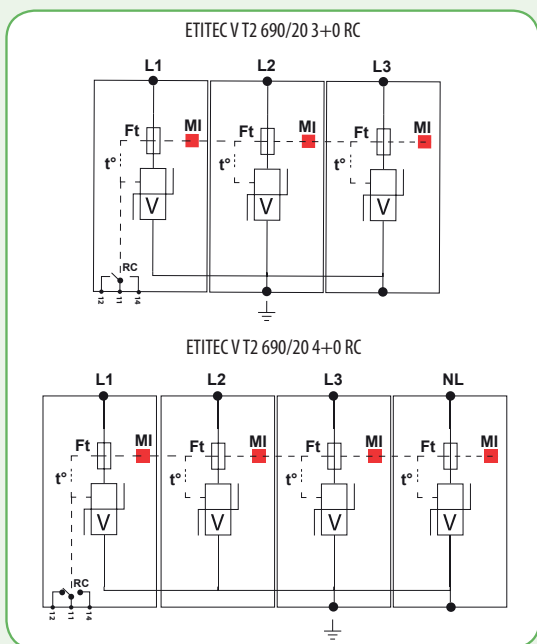
p - number of poles with varistors MOV

c - 0 varistors MOV at the NPE pole, 1 gas-discharge GDT (TT systems)

RC - Remote signaling contact

Technical data

Type	ETITECV T2 690/20
Class (IEC/EN/VDE)	II/T2/C
Network (TN)	690 V/1f
Max. AC operating voltage (AC) U_c	760 V
Temporary Over Voltage Characteristics (TOV) U_T (AC)	1000 V/5s выдерживает
	1300V/120 min безоп. отключ.
Residual current I_{pe}	< 1 mA
Follow current I_f	none
Nominal discharge current I_n (15 imp. x 8/20)	20 kA
Max. discharge current I_{max} (8/20)	40 kA
Protection level U_p	3,5 kV
Admissible short-circuit current I_{SCCR}	25 000A
Thermal disconnector	internal
Fuses	125 A gG
Installation ground fault breaker	Type «S» or delayed
Connection to Network	By screw terminals: 2,5-25 mm ² / by bus
Disconnection indicator	1 mechanical indicator
Remote signaling of disconnection (RC)	✓
Mounting	Symmetrical rail 35 mm (EN60715)
Operating temperature	- 40°C ... +85°C
Protection rating	IP 20
Housing material	Thermoplastic UL94-V0
Standards	IEC 61643-11 / EN 61643-11



PV switch disconnector LS DC

The construction of the switch ensures reliable switching up to 58A with 1000V in the category DC 21B. The construction of the contacts and the material selection guarantee that no oxidation (small switching frequency develops, and is thus prevented inadmissible heating-up). The switch disconnector has 2, 4 or 4+2 contacts, by serial / paralel wiring of the contacts the contact rating will be increased. The switching speed at the manually operated handle does not have an effect on the switching attitude of the contacts.



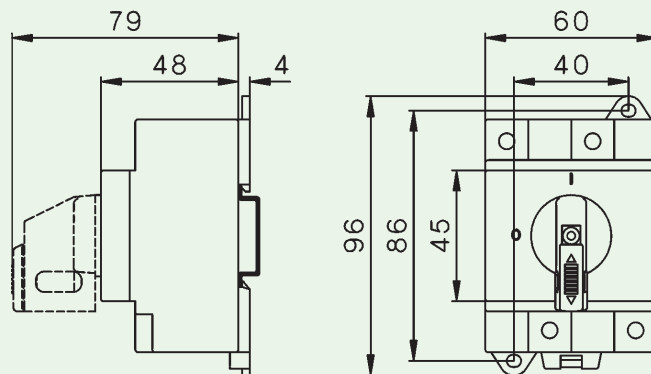
General characteristics

Rated voltage	≤ 1000V d.c.
Rated current	≤ 58A d.c.
Standards	IEC 60364-7-712
Application	For interrupting the DC/AC inverter from the solar panels

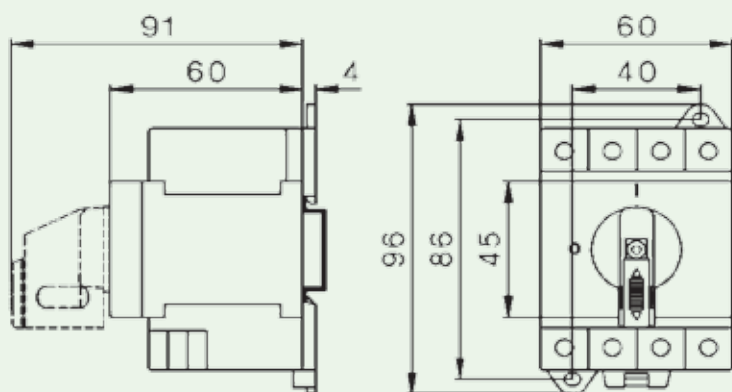
PV switch disconnector for photovoltaic systems

Code	Type		Weight [g]	Packaging [pcs]
004660060	LS16 SMA A2	2-pole	150	1
004660061	LS25 SMA A2			
004660062	LS32 SMA A2			
004660063	LS16 SMA A4	4-pole	430	1
004660064	LS25 SMA A4			
004660065	LS32 SMA A4			
004660066	LS32 SMA A4+2	4+2 pole	430	1
004660067*	LSV-B1	-	6,6	100

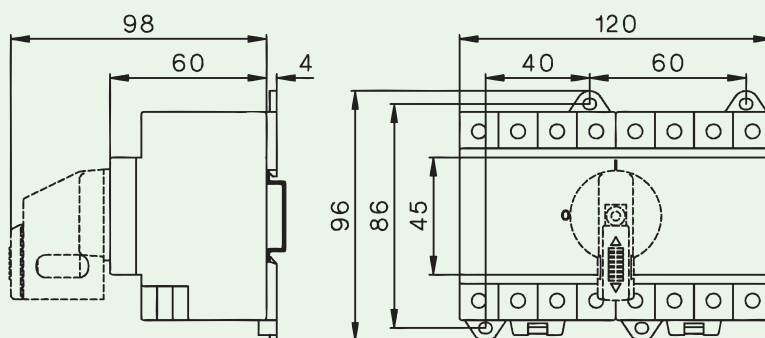
Switch disconnectors "LS.." are switch gears for interrupting DC/AC-inverter from the solar-panels. Photovoltaic-installations have to be equipped with DC-isolators according to IEC 60364-7-712.
*Insulated Jumper



LS16, 25, 32 2p



LS16, 25, 32 4p



LS32 A4+2

		LS16 [A]	LS25 [A]	LS32 [A]	DC22B	LS16 [A]	LS25 [A]	LS32 [A]	
	2 pole in series A2	500V	16	25		32	7	8	9
		600V	16	25	32	5,5	6	6,5	
		800V	16	20	21	2	2,5	3	
		1000	9	11	13	1	1,5	2	
		1200V	6	8	10	-	-	-	
		1500V	3	4	5	-	-	-	
	4 poles in series A4	500V	16	25	32	16	25	32	
		600V	16	25	32	16	25	27,5	
		800V	16	25	32	11,5	12	12,5	
		1000	16	25	32	8	9	10	
		1200V	16	25	32	-	-	-	
		1500V	16	20	23	-	-	-	
	4 poles in series + 2 poles parallel A4+2	500V			58	-	-	-	
		600V				58	-	-	-
		800V				58	-	-	-
		1000				58	-	-	-
		1200V				50	-	-	-
		1500V				23	-	-	-

Because of very high breaking point capacity, switch disconnectors "LS..." are suitable for many different operating conditions.

PV switch disconnecter LBS DC

→ Mounting system provides better cooling

→ Handle position indicate true position of switch.

→ Due to perforated protection covers it is possible to measure contacts temperature without removing covers.



→ Indicator provides contacts position.



→ Possible to lock handle with 3 locks.



→ Package includes connection screws.

LBS DC are manually operated multipolar load break switches.
 Making and breaking capacity under load conditions up to 1500 VDC.
 These extremely durable switches have been tested and approved for use in the most demanding applications. They have been designed and tested for all types of applications: earthing, floating or bipolar.

- Thanks to a reduced number of bridging bars, you can limit your costs and save mounting time
- A 2 pole switch has reduced warming and can be placed in a smaller enclosure
- can be directly connected to up to four independent PV panel strings (4 pole switch)
- tested to critical currents and at 10kA short circuit during 50 ms without specific protection

High quality materials glass fibre reinforced polyester frame provide:

- high mechanical strength,
- stability to temperature variations (RTI of 130 ° C)
- high dielectric strength (high CTI / tested as per standard ASTM D 2303)

General characteristics

Rated voltage	1500 VDC (500 VDC/pole) IEC 60947-3
Rated current	≤ 400A
Standards	IEC 60947-3, IEC 60364-7-712
Application	For interrupting DC circuits (PV, battery storage systems, etc.)

1 PV circuit 1000 V DC

Type	Code No.	Nr. Of poles	Description	Current [A] / pole	Weight [g]	Packaging [pcs]
LBS 100 2P DC1000	004661853	2	500 V DC / pole	100	1850	1
LBS 160 2P DC1000	004661854	2		160	1870	1
LBS 250 2P DC1000	004661855	2		250	1850	1
LBS 400 4P DC1000	004661856	4	250 V DC / pole	400	2360	1
LBS 500 4P DC1000	004661857	4		500	2404	1

Connect poles in series for 1000 VDC, or in parallel for higher nominal current (2x at 2 pole and 4x at 4 pole)

1 PV circuit 1500 V DC

Type	Code No.	Nr. Of poles	Description	Current [A] / pole	Weight [g]	Packaging [pcs]
LBS 275 3P DC1500	004661858	3	500 V DC / pole	275	6270	1
LBS 400 3P DC1500	004661859	3		400	6270	1

Direct handle for direct operation LBS

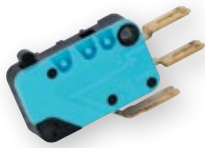
Type	Code No.	Description	For use with	Weight [g]	Packaging [pcs]
LBS-DH630/B	004661481	Direct handle black	LBS100-500DC (1000V, 1500V)	100	1/25
LBS-DH630/R	004661861	Direct handle red		100	1/80

Door interlocked handle IP65

Type	Code No.	Description	For use with	Weight [g]	Packaging [pcs]
LBS-EH630/G...400/G FLBS	004661483	Door handle Black	LBS100-500DC (1000V, 1500V)	250	1/20
LBS-EH630/YR	004661486	Door handle Red		250	1/20

*shaft not included





Shaft for door interlocked handle

Type	Code No.	Description	For use with	Weight [g]	Packaging [pcs]
LBS-S200/630 (CO) .../400 FLBS	004661490	Shaft 200mm	LBS100-500DC (1000V, 1500V)	160	1/25
LBS-S320/630 (CO) .../400 FLBS	004661493	Shaft 320mm		250	1/50
LBS-S500/630 (CO) .../400 FLBS	004661496	Shaft 500mm		390	1/10

Terminal screen

Type	Code No.	Description	For use with	Weight [g]	Packaging [pcs]
LBS-TS250 2P DC	004661862	Terminal screen, 2P	LBS ... 2P	40	1/30
LBS-TS500 4P DC	004661863	Terminal screen, 4P	LBS ... 4P	50	1/20
LBS-TS500 3P DC	004661865	Terminal screen, 3P	LBS ... 3P	60	1/100

1 reference includes 1pc for top or bottom contacts, to protect all, 2 references shall be ordered

Bridging bars

Type	Code No.	Description	For use with	Weight [g]	Packaging [pcs]
LBS-BR500 1P DC	004661864	Bridging bars, 1pole	LBS ... DC 1000	60	1/100
LBS-BR400 1P DC	004661866		LBS ... DC 1500	210	1/50

1 reference includes connection for 1 pole

Auxiliary contact

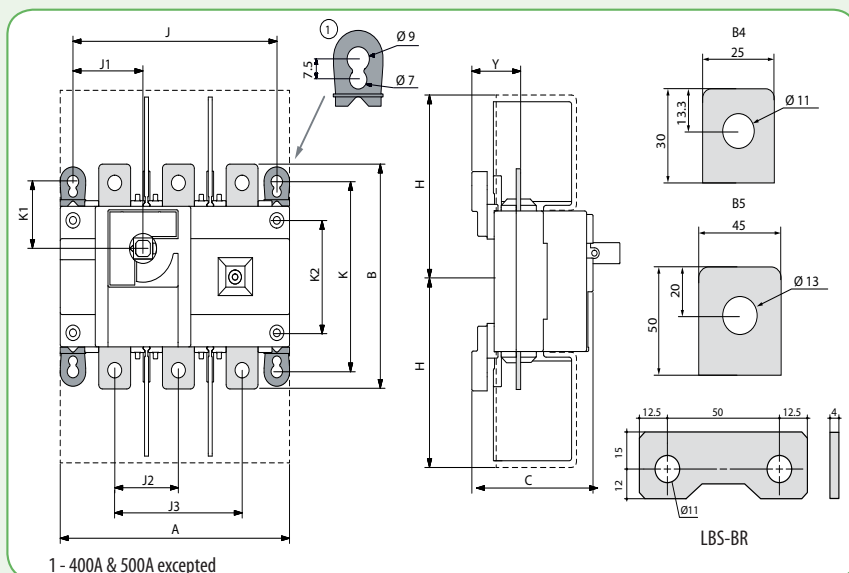
Type	Code No.	Description	For use with	Weight [g]	Packaging [pcs]
LBS-PS11	004661499	Auxiliary contact (CO)	LBS... DC1000, DC1500	26	1/30

Technical data (according to IEC 60947-3):

Type	LBS 100 DC					LBS 160 DC					
Rated current, I_n	100 A					160 A					
Thermal current at 40 °C	100 A					160 A					
Thermal current at 50 °C	100 A					160 A					
Thermal current at 60 °C	100 A					160 A					
Rated insulation voltage, U_n	1000 V DC					1000 V DC					
Rated impulse withstand voltage, U_{imp}	12kV					12kV					
Number of circuits	Rated insulation voltage	Utilisation category	I_e (A)	Number of poles in series per circuit	Number of poles of the device	Frame size	I_e (A)	Number of poles in series per circuit	Number of poles of the device	Frame size	
1	1000V DC	DC-21B	100	1P+ ; 1P-	2	B4	160	1P+ ; 1P-	2	B4	
Rated short-term withstand current $I_{0,3c}$ (rms)		10 kA					10 kA				
Rated short-term withstand current I_{1c} (rms)		5 kA					5 kA				
Rated short-circuit making capacity I_{cm} (50ms)		10 kA					10 kA				
Max Cu rigid cable cross-section		35 mm ²					70 mm ²				
Max Cu busbar width		32 mm					32 mm				
Tightening torque min		20 Nm					20 Nm				
Tightening torque max		26 Nm					26 Nm				
Durability (number of operating cycles)		10000					10000				
Operating effort		10 Nm					10 Nm				
Weight of a 2 pole device		1,8 kg					1,8 kg				

Technical data (according to IEC 60947-3):

Type	LBS 250 DC					LBS 275 DC					
Rated current, I_n	250 A					275 A					
Thermal current at 40 °C	250 A					275 A					
Thermal current at 50 °C	250 A					275 A					
Thermal current at 60 °C	250 A					275 A					
Rated insulation voltage, U_n	1000 V DC					1500 V DC					
Rated impulse withstand voltage, U_{imp}	12kV					12kV					
Number of circuits	Rated insulation voltage	Utilisation category	I_e , (A)	Number of poles in series per circuit	Number of poles of the device	Frame size	I_e , (A)	Number of poles in series per circuit	Number of poles of the device	Frame size	
1	1000V DC	DC-21B	250	1P+; 1P-	2	B4	275	1P+; 1P-	3	B5	
1	1500V DC		-	-	-	-		2P+; 1P-	3		
Rated short-term withstand current 0,3c (rms)		10 kA					10 kA				
Rated short-term withstand current 1c (rms)		5 kA					5 kA				
Rated short-circuit making capacity I_{cm} (50ms)		10 kA					10 kA				
Max Cu rigid cable cross-section		120 mm ²					185 mm ²				
Max Cu busbar width		32 mm					32 mm				
Tightening torque min		20 Nm					20 Nm				
Tightening torque max		26 Nm					26 Nm				
Durability (number of operating cycles)		10000									
Operating effort		10 Nm									
Weight of a 2 pole device		1,8 kg					-				
Weight of a 3 pole device		-					6 kg				



Frame size	Nr. Of poles	Dimensions (mm)											
		A	B	C	H	J	J1	J2	J3	K	K1	K2	Y
B4	2	180	160	95	132,5	160	55	-	100	135	48	80	38,5
B4	4	230	170	79	132,5	210	105	50	-	-	-	80	22,5
B5	3	230	260	126,5	203	210	75	65	-	195	67,5	80	51,5

Technical data (according to IEC 60947-3):

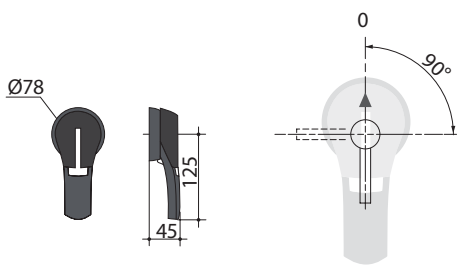
Type		LBS 400 DC	LBS 500 DC							
Rated current, I_n		400A	500 A							
Thermal current at 40 °C		400 A	500 A							
Thermal current at 50 °C		400 A	500 A							
Thermal current at 60 °C		400 A	475 A							
Rated insulation voltage, U_n		1000 V DC/1500 V DC*		1000 V DC						
Rated impulse withstand voltage, U_{mp}		12kV		12kV						
Number of circuits	Rated insulation voltage	Utilisation category	I_e' (A)	Number of poles in series per circuit	Number of poles of the device	Frame size	I_e' (A)	Number of poles in series per circuit	Number of poles of the device	Frame size
1	1000V DC	DC-21B	400	2P+ ; 2P-	4	B4	500	2P+ ; 2P-	4	B4
	1500V DC*			2P+ ; 1P-	3	B5	-	-	-	-
Rated short-term withstand current 0,3c (rms)				-				10 kA		
Rated short-term withstand current 1c (rms)				10 kA				5 kA		
Rated short-circuit making capacity I_{cm} (50ms)				10 kA				10 kA		
Max Cu rigid cable cross-section				240 mm ²				2x150 mm ²		
Max Cu busbar width				32 mm				32 mm		
Tightening torque min				20 Nm				20 Nm		
Tightening torque max				26 Nm				26 Nm		
Durability (number of operating cycles)						5000				
Operating effort						10 Nm				
Weight of a 3 pole device				3,8 kg				-		
Weight of a 4 pole device				2,3 kg				3,8 kg		

* 1500 V DC rated insulation voltage only for switch 004661859

Pole connections in series LBS DC

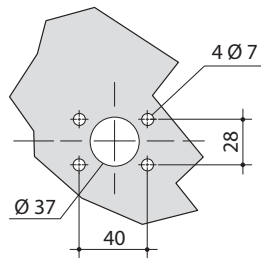
1000 V DC (1 PV circuit)		1500 V DC (1 PV circuit)	
Frame size B4, 2P	Frame size B4, 4P	Frame size B5, 3P	

Handle type LBS-EH630

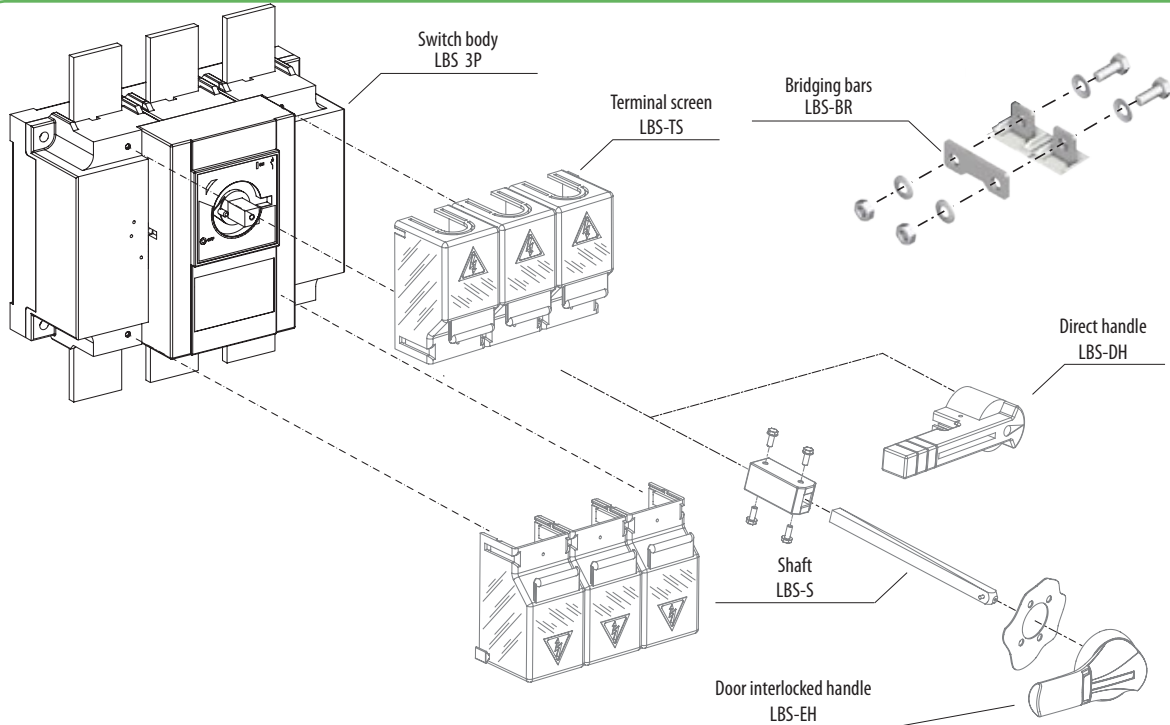
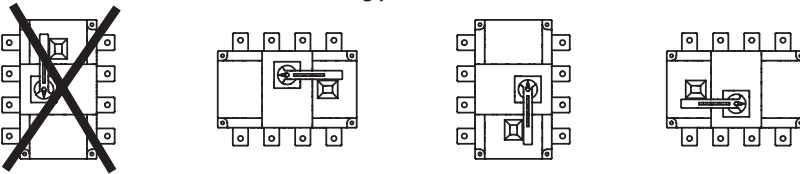


Direct front operation

Door drilling



Mounting position LBS DC



IP65 Wall mounted distribution boards ECH

Available in 4, 8, 12, 24, 36 modules

Applications:

Watertight wall-mounted distribution boards apply in domestic and industry architecture for mounting modular equipment for protection (IP65) against wet, dust and another dirtiness

Structure:

Enclosure is made of high thermal stability material - ASA (Acrylonitrile-Acrylic-Styrene), plastic with good dielectrical and mechanical attributes, UV resistant (colour stability)

Advantages: Aesthetic and attractive look, easy and quick montage

Main elements:

- Bottom cover with DIN rail, PE and N bars and holes for PG cable inlets properly marked
- Top cover with seal of the door
- Transparent door made of polycarbonate (PC) with plastic lock (in standard) or metal lock with key (in option)



Technical data:

Protection class	IP65
Isolation class	II
Impact kit	IK07
Nominal voltage	400V AC
Temperature range	-25 °C do +60 °C
IEC compatibility	IEC- 60670-24

Type	Code number	Description	Number of terminals at PE /N	Dimensions [H x W x D] (mm)	Weight (kg)	Packaging (pcs.)
ECH-4G	001101060	Wall mounted enclosure 4 mod, IP-65 transparent door	4/4	201x128x120	0,46	1/5
ECH-8G	001101061	Wall mounted enclosure 8 mod, IP-65 transparent door	8/8	201x202x120	0,68	1/5
ECH-12PT	001101062	Wall mounted enclosure 12 mod, IP-65 transparent door	10/10	256x319x144	1,24	1/5
ECH-24PT	001101063	Wall mounted enclosure 24 mod, IP-65 transparent door	15/15	384x319x144	1,7	1/5
ECH-36PT	001101064	Wall mounted enclosure 36 mod, IP-65 transparent door	15/15	535x319x144	2,31	1/5

Accessories

ECH-Lk	001101065	Lock with key for ECH	-	-	0,017	1
--------	-----------	-----------------------	---	---	-------	---

Enclosure designation



12 modules PV distribution boards 1,2 inputs

General characteristics

Rated voltage	500V, 1000V d.c.
Rated current	13A, 25A d.c.
Standards	IEC 60364-7-712:2005, EN 60439-1, Type test ICEM-TC Maribor
Protection class	IP54
Category (switch)	DC 21B
Isolation class	II □
Temperature range	-25 °C to +60 °C
Application	As PV distribution board in photovoltaic power plant



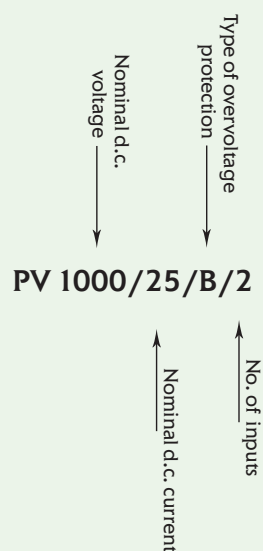
	Voltage	Overvoltage protection	Inputs	13 A d.c.		25A d.c.		Weight (g)	Pack.
12 modules (318 x 258 x 142mm)	500V d.c.	B	1	001103001	PV500/13/B/1	001103017	PV500/25/B/1	1860	1
			2	001103002	PV500/13/B/2	001103018	PV500/25/B/2	1980	
		C	1	001103005	PV500/13/C/1	001103021	PV500/25/C/1	1860	
			2	001103006	PV500/13/C/2	001103022	PV500/25/C/2	1980	
	1000V d.c.	B	1	001103009	PV1000/13/B/1	001103025	PV1000/25/B/1	1860	
			2	001103010	PV1000/13/B/2	001103026	PV1000/25/B/2	1980	
		C	1	001103013	PV1000/13/C/1	001103029	PV1000/25/C/1	1860	
			2	001103014	PV1000/13/C/2	001103030	PV1000/25/C/2	1980	

Overvoltage protection	Ground cable
Type B	16mm ²
Type C	6mm ²

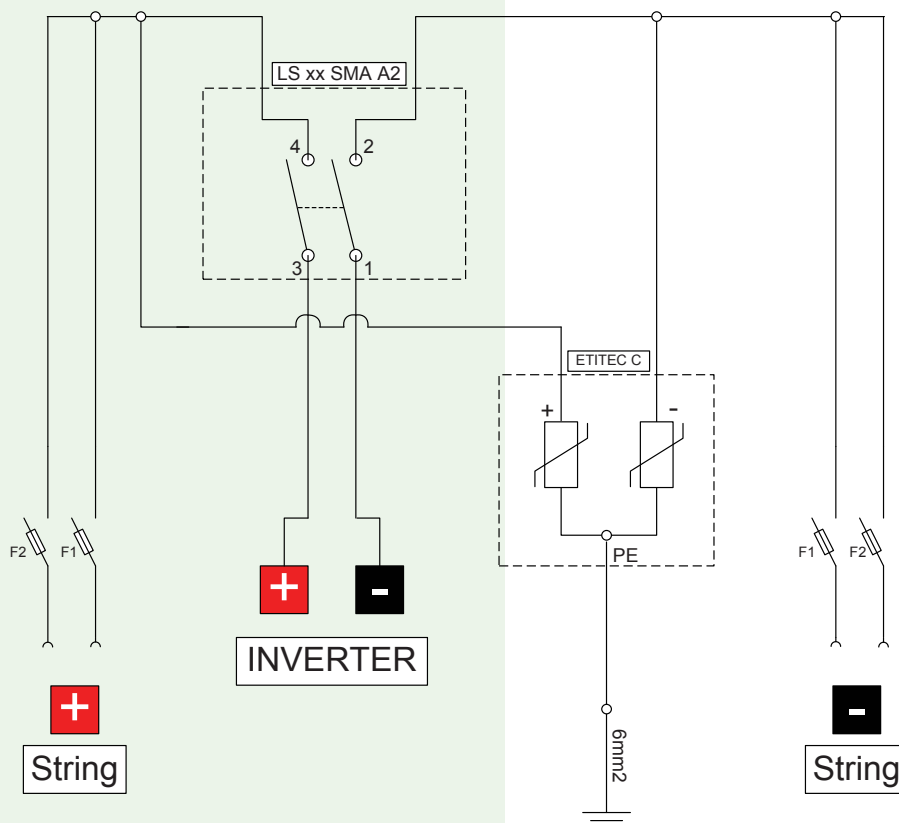
Important!

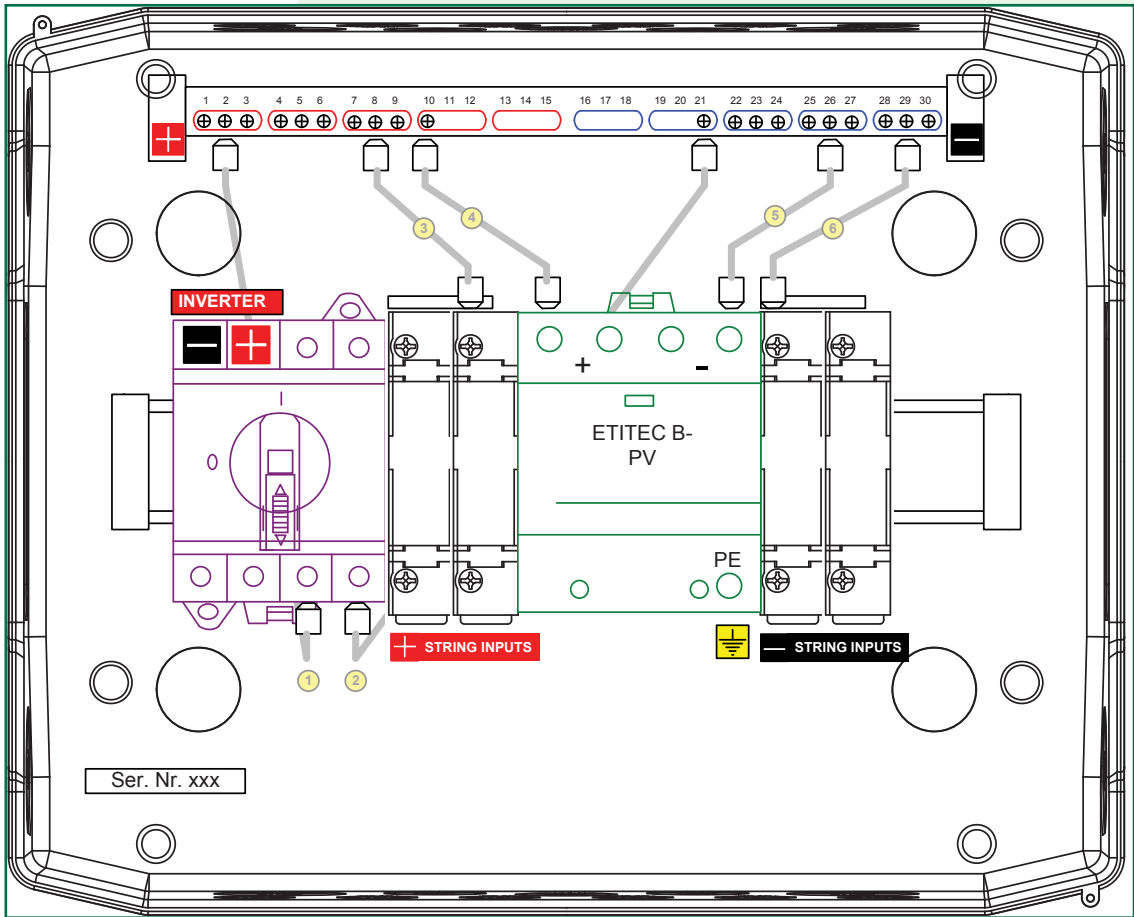
CH 10 gPV fuse-links are not included in the distribution board package and need to be ordered separately.

Type designation:

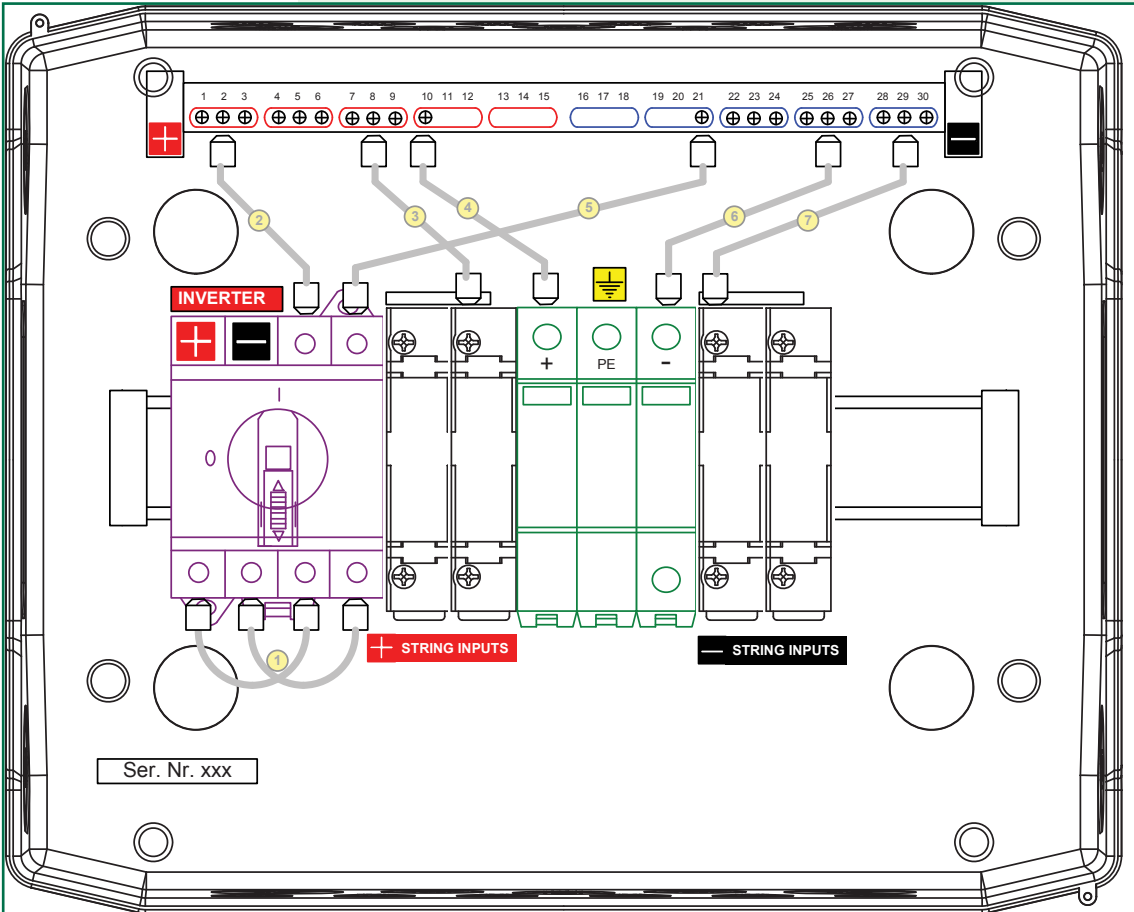


Electric scheme:





PV500/B/25/2



PV1000/C/25/2

24 modules PV distribution boards (3,4,5,6 inputs)

General characteristics

Rated voltage	500V, 1000V d.c.
Rated current	13A, 25A d.c.
Standards	IEC 60364-7-712:2005, EN 60439-1, Type test ICEM-TC Maribor
Protection class	IP54
Category (switch)	DC 21B
Isolation class	II □
Temperature range	-25 °C to +60°C
Application	As PV distribution board in photovoltaic power plant



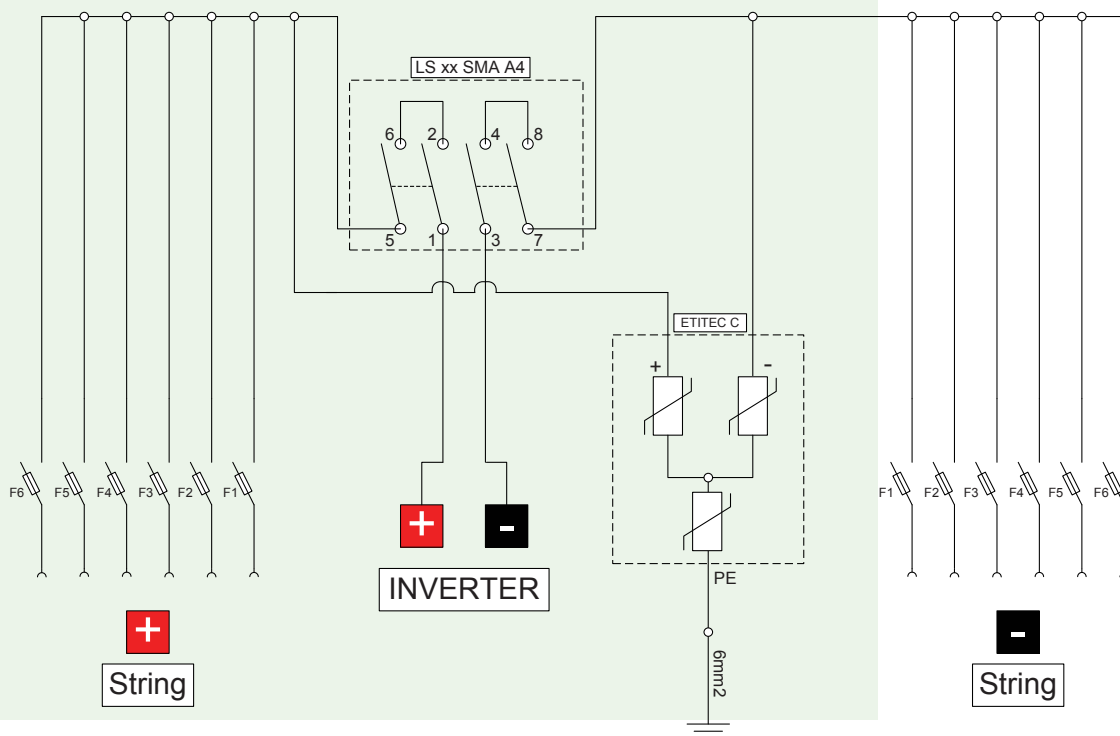
Important!

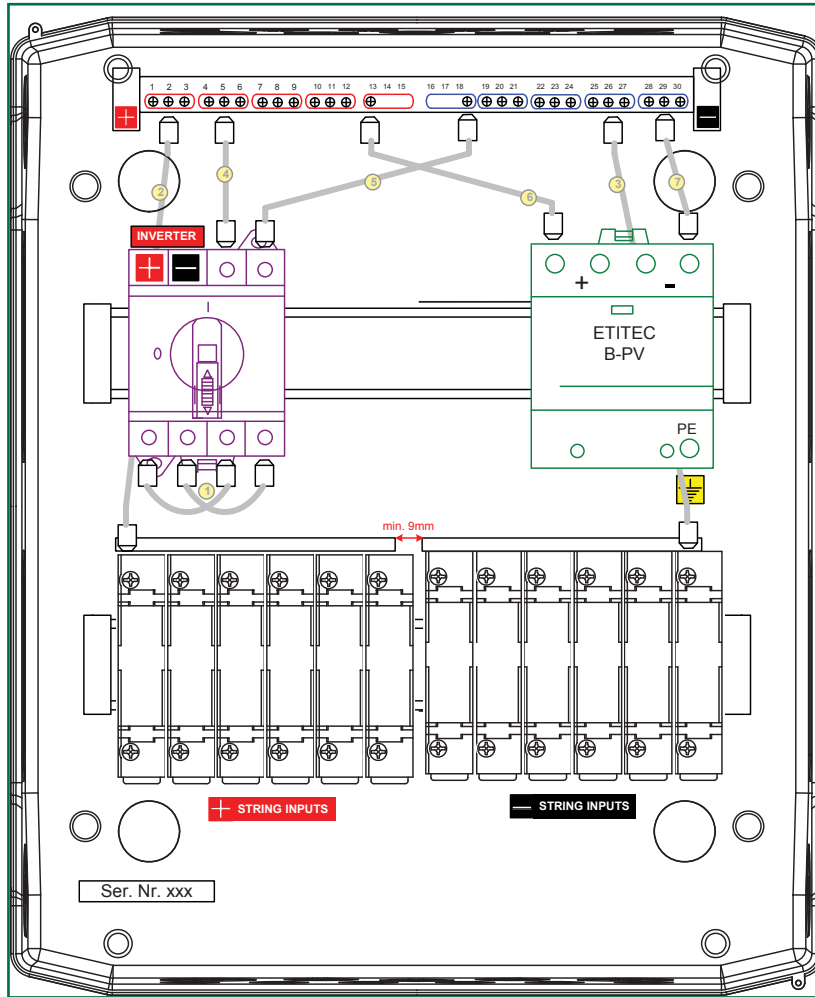
CH 10 gPV fuse-links are not included in the distribution board package and need to be ordered separately.

	Voltage	Overvoltage protection	Inputs	13 A d.c.		25A d.c.		Weight (g)	Pack.
				Code	Model	Code	Model		
24 modules (318 x 383 x 142mm)	500V d.c.	B	3	001103065	PV500/13/B/3	001103033	PV500/25/B/3	2560	1
			4	001103066	PV500/13/B/4	001103034	PV500/25/B/4	2680	
			5	001103067	PV500/13/B/5	001103035	PV500/25/B/5	2800	
		6	001103068	PV500/13/B/6	001103036	PV500/25/B/6	2920		
		C	3	001103073	PV500/13/C/3	001103041	PV500/25/C/3	2560	
			4	001103074	PV500/13/C/4	001103042	PV500/25/C/4	2680	
	5		001103075	PV500/13/C/5	001103043	PV500/25/C/5	2800		
	1000V d.c.	B	6	001103076	PV500/13/C/6	001103044	PV500/25/C/6	2920	
			3	001103081	PV1000/13/B/3	001103049	PV1000/25/B/3	2560	
			4	001103082	PV1000/13/B/4	001103050	PV1000/25/B/4	2680	
		5	001103083	PV1000/13/B/5	001103051	PV1000/25/B/5	2800		
		6	001103084	PV1000/13/B/6	001103052	PV1000/25/B/6	2920		
C		3	001103089	PV1000/13/C/3	001103057	PV1000/25/C/3	2560		
	4	001103090	PV1000/13/C/4	001103058	PV1000/25/C/4	2680			
	5	001103091	PV1000/13/C/5	001103059	PV1000/25/C/5	2800			
			6	001103092	PV1000/13/C/6	001103060	PV1000/25/C/6	2920	

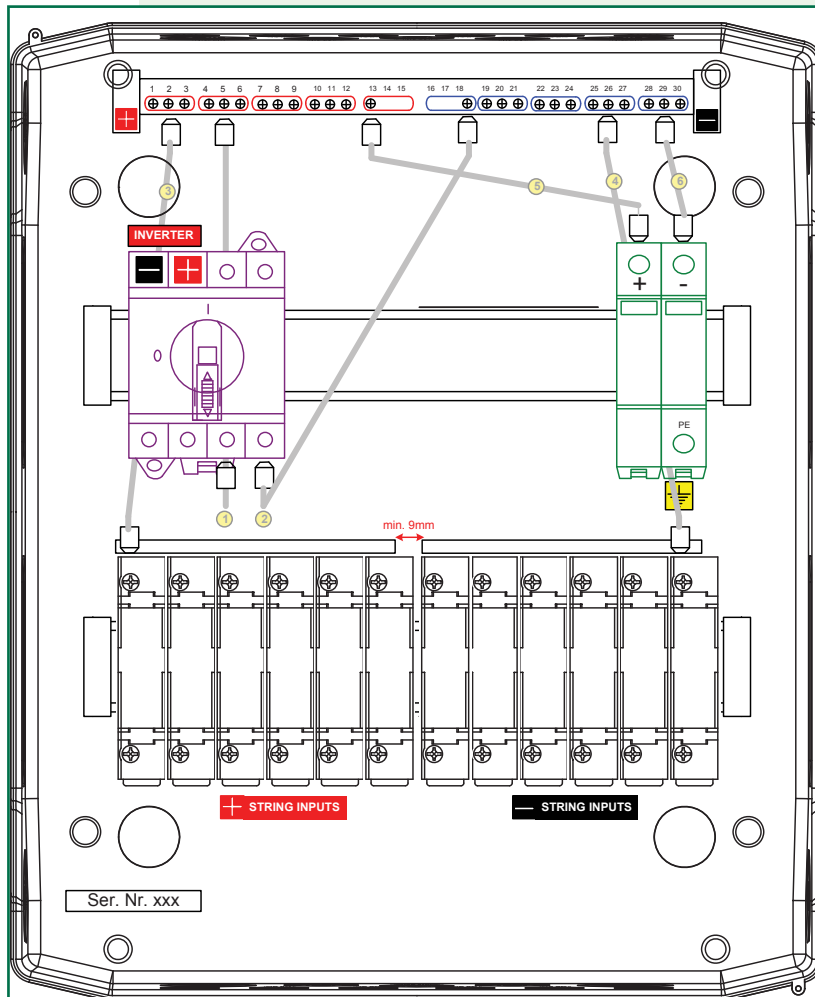
Electric scheme:

Overvoltage protection	Ground cable
Type B	16mm ²
Type C	6mm ²





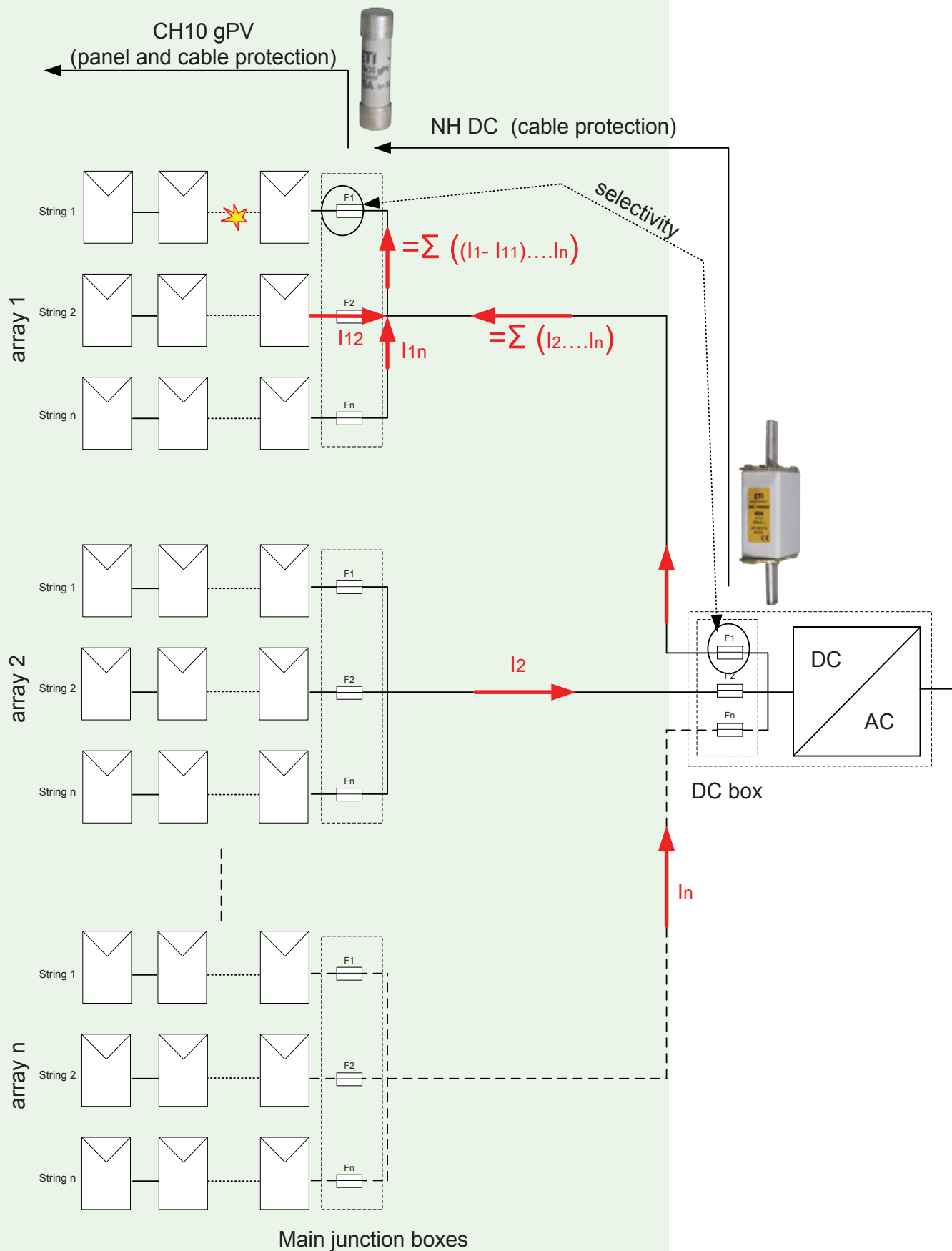
PV1000/B/25/6



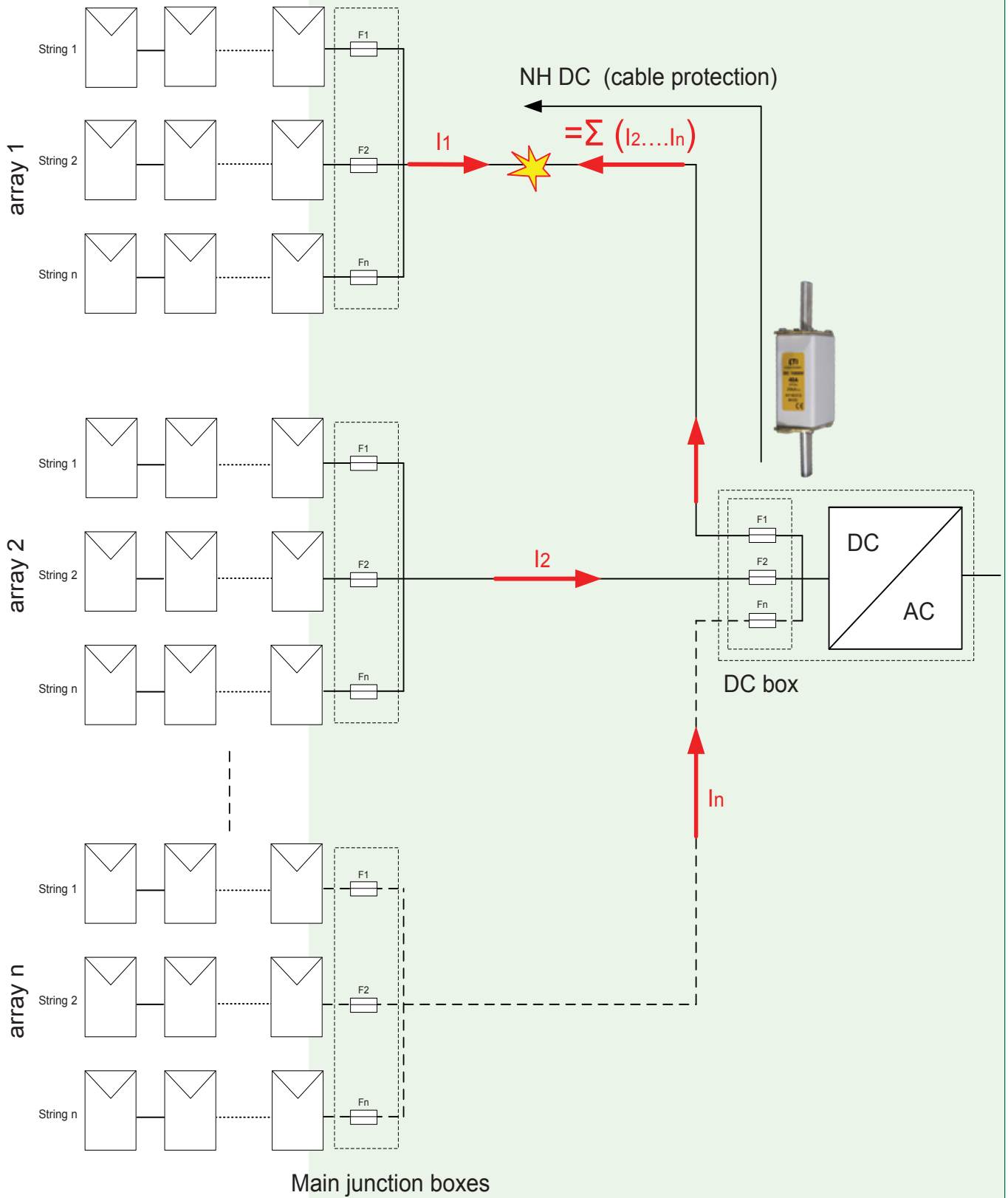
PV500/C/25/6

Enclosures

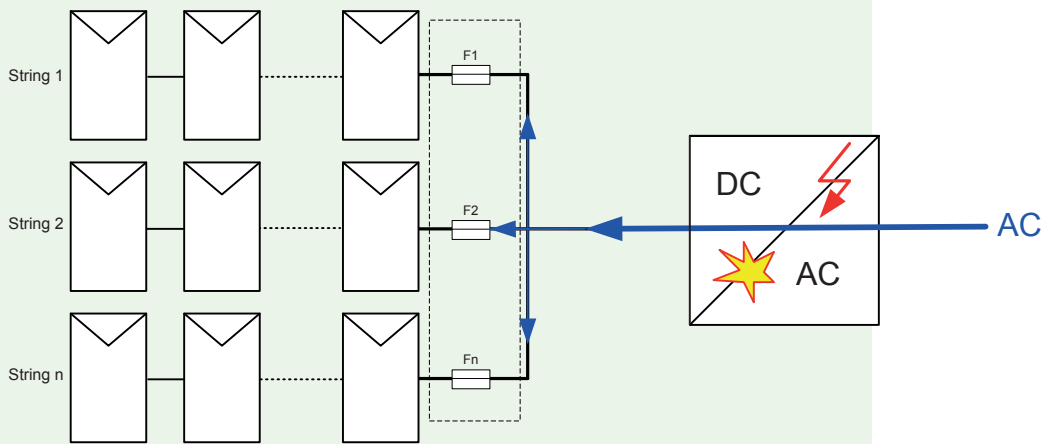
Protection of PV modules on REVERSE current by CH gPV fuse link



Protection of the wiring between ARRAYS from short-circuit



Protection from »AC REVERSE current« (transformerless inverter)



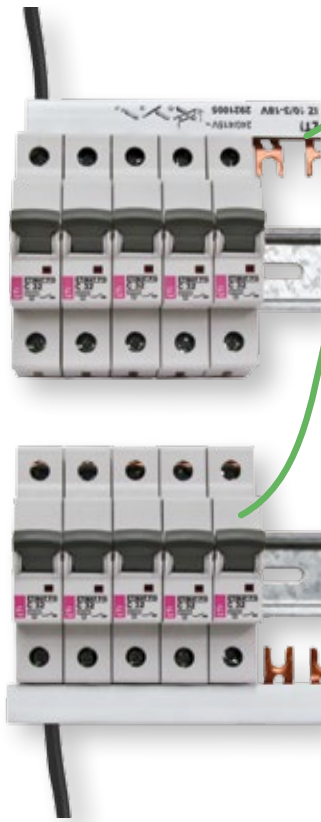
AC - distribution and protection components

This part of the catalogue is only for informational purposes. All required commercial and technical information on the following products is available in our **General catalogue Building, Industry and Energy** and in leaflet **Special purpose fuses**.



ASTI - Miniature circuit breakers and residual current devices

High breaking capacity MCB ETIMAT P10



→ Supply possibility:

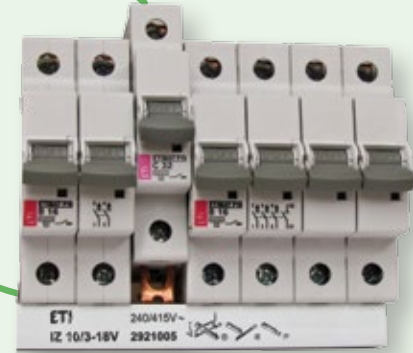
- top
- bottom



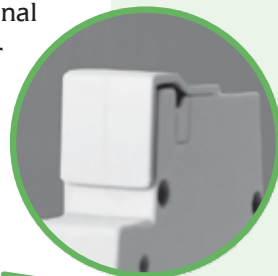
→ New method of mounting on the DIN rail and simple replacement

→ Double connection possibility

→ Every product is marked with EAN Code



→ Terminal cover



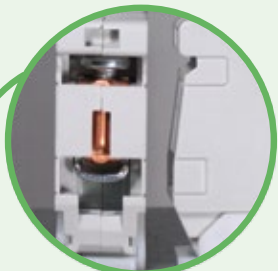
→ "ON/OFF" mark on the switch button

→ Sealing possibility in ON and OFF position



→ Indication of contacts' state

→ Locking device



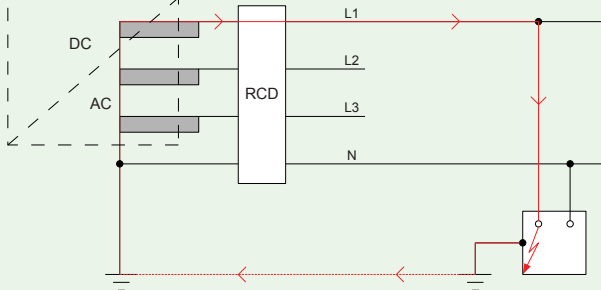
→ Better protection of terminals against touching the parts under voltage

Residual current circuit breakers RCCBs EFI type B, B+

Application:

For PV power plant IEC 60364-4-41:2005 (Protection against electrical shock) and IEC 60364-7-712:2002 (Requirements for solar photovoltaic (PV) power supply systems) standards are used. EFI is used as protection against FIRE and as protection against indirect touch of live parts

Disconnecting by EFI in case of fault in TT grid:



EFI type A can be used in DC/AC inverters with transformers or in DC/AC inverters for which the producer excludes the possibility of DC leakage currents on AC side.

EFI 4 (4M)		Type B			Type B+		
		Inst.	K	S	Inst.	K	S
	For alternating residual current	✓	✓	✓	✓	✓	✓
	For alternating and pulsating direct residual current	✓	✓	✓	✓	✓	✓
	For alternating, pulsating direct and smooth DC residual current (up to 1kHz)	✓	✓	✓	✓	✓	✓
	For alternating, pulsating direct and smooth DC residual current (up to 20kHz)				✓	✓	✓
	Short-circuit capacity with back-up fuse	✓	✓	✓	✓	✓	✓
	Lower temperature limit of application -25°C	✓	✓	✓	✓	✓	✓
	VDE 0664, part 1 (up to 80 A)	✓		✓	✓		✓
	Short time delayed (10 - 40 ms)		✓			✓	
	Selective (time delayed 40 -150 ms)			✓			✓



APPLICATION

- Fault protection (protection against indirect contact of live parts)
- Additional protection (protection in case of direct contact of live parts, $I_{\Delta n} \leq 30\text{mA}$)
- Fire Protection (for locations exposed to fire hazard)

Residual current sensitivity – UNIVERSAL

AC pure sinus residual current, 50/60Hz

A sinus and pulsating direct current, 50/60Hz

B AC + A + smooth direct current + high frequency (1 kHz)

B+ AC + A + smooth direct current + high frequency (20kHz)

Basic types

according to rated values:

4p B $I_n = 25\text{A}, 40\text{A}, 63\text{A}, I_{\Delta n} = 30\text{mA}, 100\text{mA}, 300\text{mA}$

4p B+ $I_n = 25\text{A}, 40\text{A}, 63\text{A}, I_{\Delta n} = 30\text{mA}, 100\text{mA}, 300\text{mA}$

according to breaking times:

4p B, B+ instantaneous, short time delayed, selective

according to the number of poles:

4p, 2p

Standards

IEC/EN 61008-1

basic standard for RCCB's AC and A type

IEC/EN 62423

additional requirements for type B

VDE 0664-400 B+

VDE standard for B+ requirements (20kHz)



Mode of operation

Pure a.c. and pulsating d.c. type residual current sensitivity, A voltage independent
 Smooth d.c. current sensitivity: B, B+ voltage dependent
 Minimum operating voltage: 50V

Typical applications

Which are vulnerable to smooth d.c. residual currents:

- Frequency converters,
- Photovoltaic systems, a.c side,
- Charging stations for electric vehicles,
- Variable speed machine tools,
- UPS, computer data centres
- Elevator controls,
- Cranes of all kinds
- Electronic equipment on construction sites,
- Test set-ups in laboratories,
- Installation in general where we can expect d.c. smooth direct residual currents, etc.

EVE - Modular devices



Utility grid monitoring relays HRN-54 and HRN-54N serves to monitor voltage, phase failure and phase sequence and perform anti-islanding protection together with ETI multifunction time relays CRM-91H and CRM-93H.

- HRN-54
- HRN-54N
- CRM-91H
- CRM-93H

Application:

Anti-islanding protection for photovoltaic systems.



Build-in switch is used as a main switch in distribution boxes in houses or as a switch for individual electric circuits. With a build-in switch we can completely replace the cam switch. Build-in switch can be sealed either in ON or OFF position.

Available in 1-, 2-, 3- and 4-pole versions.

ETISWITCH - Switch disconnectors



ETISWITCH Switch disconnectors series LAS and built-in switches series SV serves as control switches, load break switches and disconnecting devices in AC distribution/protection cabinets.

- LAS16 up to LAS125 (3,4-pole, from 16 to 125A)
- SV1100 up to SV4100 (1, 2, 3, and 4-pole; 100A)

ETICON - motor contactors and ETIBREAK - MCCBs

ETICON power contactors are used as separation device actuated on anti-islanding protection signal between photovoltaic inverter and AC utility grid. For the same purpose ETIBREAK moulded case circuit breakers series EB2 assembled with motor operators enabling remote controlled operations can be used. EB2R moulded case circuit breakers with integrated residual current protection provides combined protection against overloads, short-circuits and residual currents.

- CEM 9 up to CEM300 (AC3 9 up to 300A)
- ETIBREAK EB2 (from 20 up to 630A)
- ETIBREAK EB2R (from 20 up to 250A)



Low voltage moulded case circuit breakers with residual current protection EB2R

Breaking capacities as on MCCBs



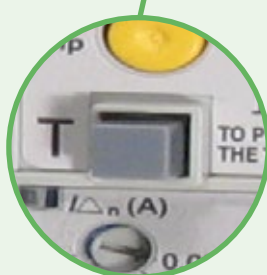
Adjustable residual current tripping thresholds between 30mA and 3A. Adjustable time delay for residual current protection between 60ms and 700ms including INST (instantaneous) and NT (No Trip).



Voltage Presence LED Indicator and Trip Indicator (the yellow button pops up to indicate tripping due to residual current)



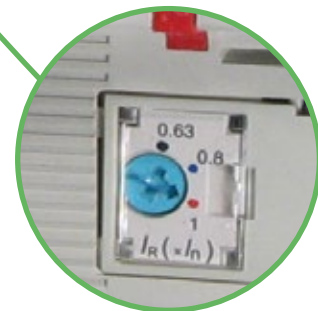
Type A: Tripping is ensured for residual sinusoidal AC in the presence of residual pulsating DC.



Test Button (to test the residual current detection and tripping system)



Dielectric test device plug (to allow dielectric testing with the EB2R closed - ON)



Adjustable overload protection I_R can be set between 63% and 100% of I_n

ETITEC - surge arresters



ETITEC surge arresters protect photovoltaic system AC components against direct and indirect lightning discharges and utility grid operating overvoltages.

- ETITEC class T1+T2: ETITEC B, B-F and ETITEC WENT
- ETITEC class T2: ETITEC C

NV/NH - low voltage knife blade fuses and disconnectors



ETI offers a new generation of low-voltage fuse-links from size NV00C up to NV3 with new, dual indication of fuse-link operation, called KOMBİ. The indicator is easily visible on the top and centre of the fuse-link, whether it is situated in a standard fuse base or vertical fuse rail or in fuse-switch disconnector.

Fuse links with gG characteristic with rated voltages 400 V a.c., 500 V a.c., 690 V a.c. and 1000 V a.c are available in versions with and without striker pin, with rated current from 2 A to 1600 A, depending on the selected product.

We also offer:

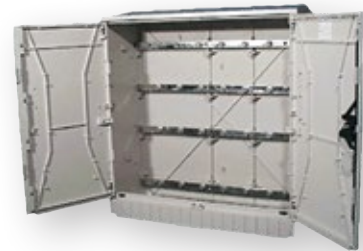
- NV fuse-rails sizes 00, 1, 2, 3 with accessories
- NV disconnectors with fuses sizes 00, 1, 2, 3, 4a.

ETI can also design and produce special non-standard fuse-links on customers' request.

KVR - Free-standing cable distribution cabinets

Application:

- DC collector (connecting the DC cabling for PV inverters)
- AC collector (connecting the AC cabling for PV inverters)
- AC cabinets
- DC cabinets



DC collector

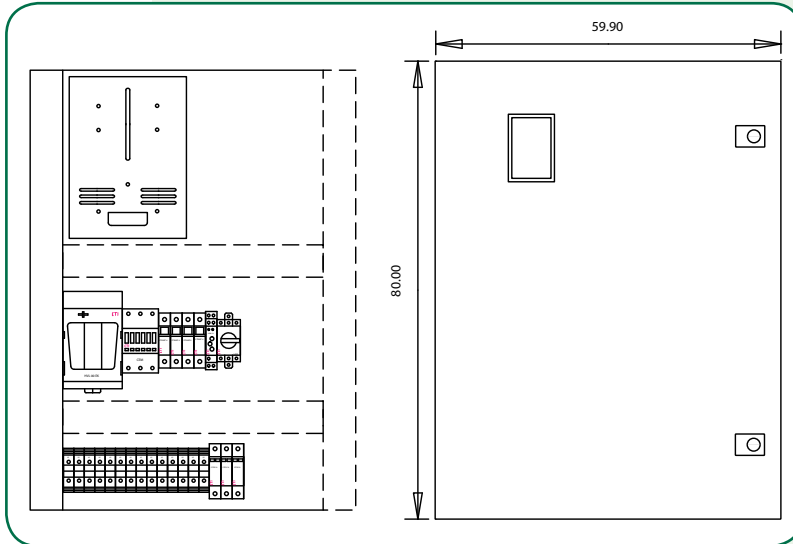
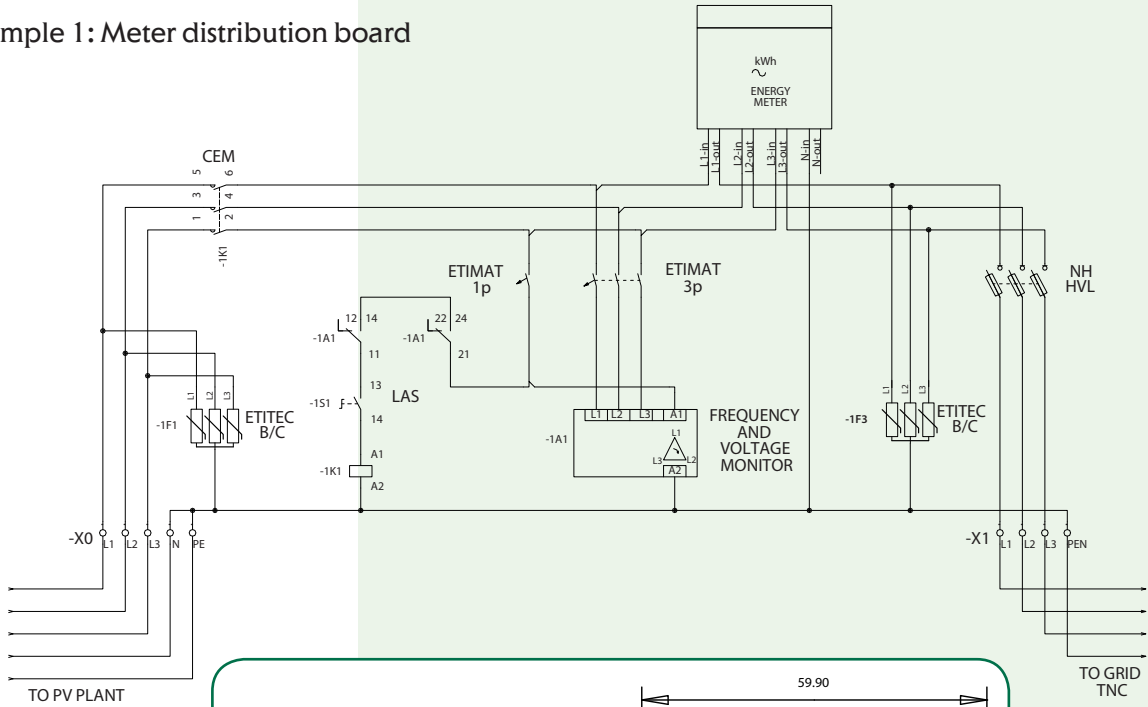


AC collector



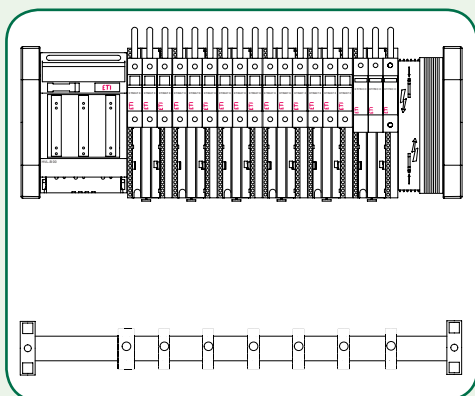
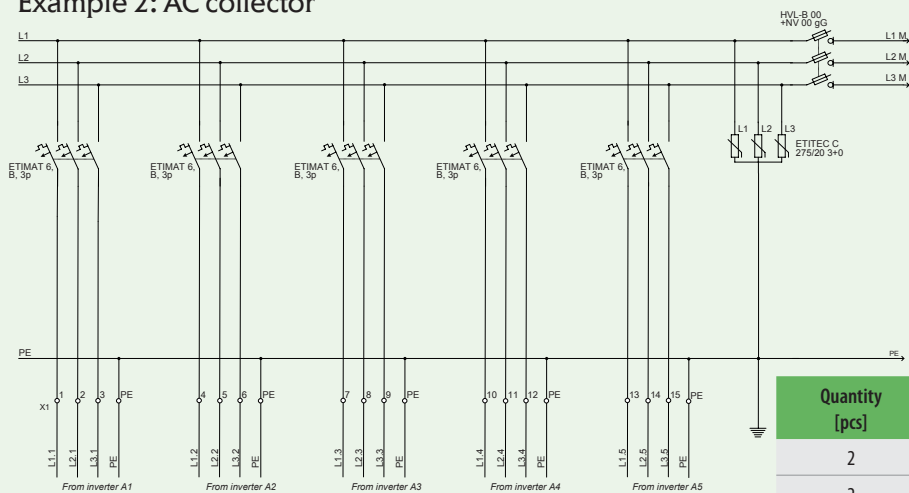
Solutions

Example 1: Meter distribution board



Quantity [pcs]	Code No.	Description
1	001102133	GT 80-60-25
1	002440141	ETITEC B-F 320/12,5 F 3+0
1	004648103	ETICON CEM 50.00 230V
1	002115512	ETIMAT 6, B, 6A, 3P
1	002115512	ETIMAT 6, B, 6A, 1P
1	001701250	HVL EK 00, 3p
3	004181213	NH 00 C KOMBI 80 A, gG 500 V
1	004660011	ETISWITCH LAS 1
2	002911001	35 mm TH rail NVS35/7,5 1m
1	001117002	3F, VPO
1	002471416	HRN-54
10	003901157	VS 35 PA
2	003901539	VS 35 PE
2	003901158	VS 35 PAN
6	003901000	VS 2,5 PA
3	003901911	IKP S 6060

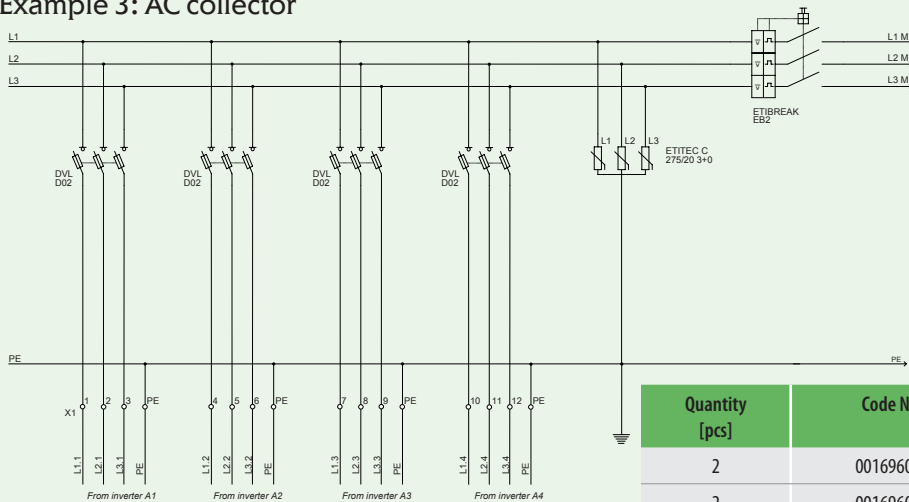
Example 2: AC collector



Quantity [pcs]	Code No.	Description
2	001696001	BBS-60/3
2	001696006	L-BBS-60/3
1	001696009	BBC-60/3
6	001696083	DA-60/32/72/1
1	001696042	HVL-B 00 3p M8
5	002111516	ETIMAT 6, B, 3p
1	002441522	ETITEC C 275/20 3+0
3	004183214	NH 00, 100A, gG
2	001696000	BBS-60/1
6	001696019	CT-5/16
1	001696021	CT-5/50

* see general catalogue about 60mm busbar system

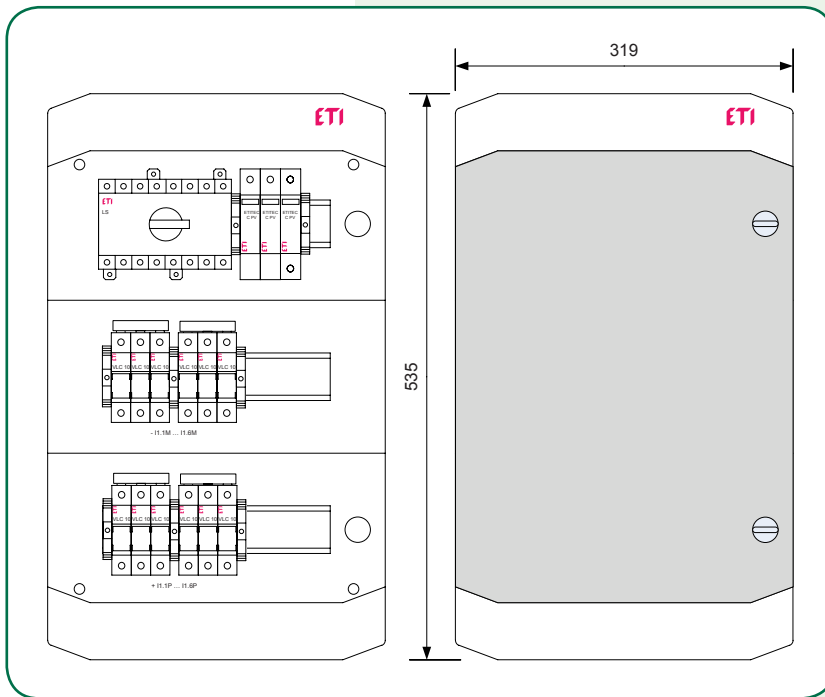
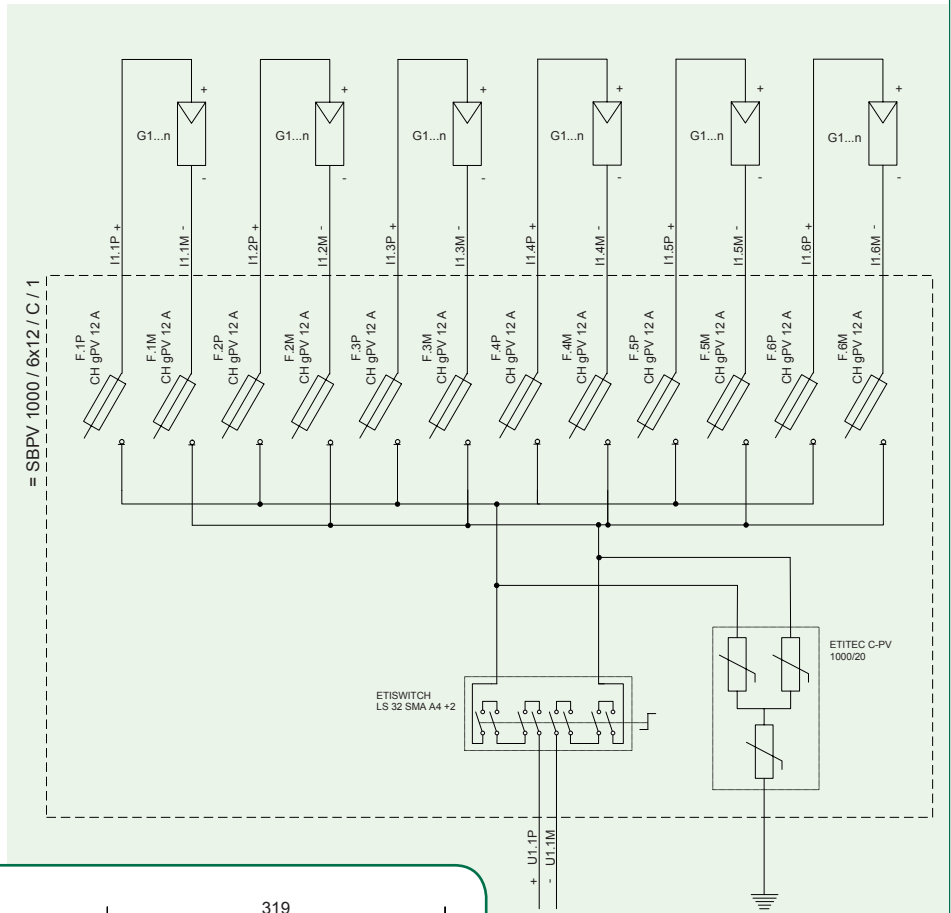
Example 3: AC collector



Quantity [pcs]	Code No.	Description
2	001696001	BBS-60/3
2	001696006	L-BBS-60/3
3	001696009	BBC-60/3
1	001696083	DA-60/32/72/1
4	001696050	DVL-60/183
12	002212006	D02, 32A
1	002441522	ETITEC C 275/20 3+0
1		universal MCCB adapter, frame 125
1	004671046	ETIBREAK EB2 125/3S 125A 3p
2	001696000	BBS-60/1
5	001696019	CT-5/16
1	001696021	CT-5/50

* see general catalogue about 60mm busbar system

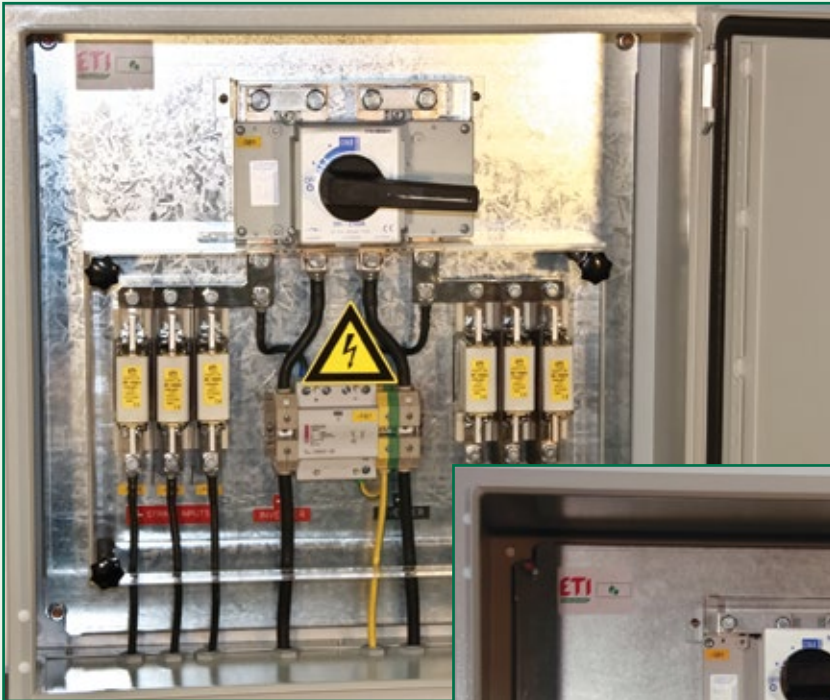
Example 4: DC junction box



Quantity [pcs]	Code No.	Description
1	001101064	ECH-36PT
12	002540201	EFH 10 1p DC 1000V
0,25	002921101	IZS10/1F/54
12	002625106	CH10 gPV 1000V 12A
1	002445208	ETITEC C-PV 1000/20
1	004660066	LS32 SMA A4+2
8	003901016	PKPA 35 end bracket

Design on customer's request

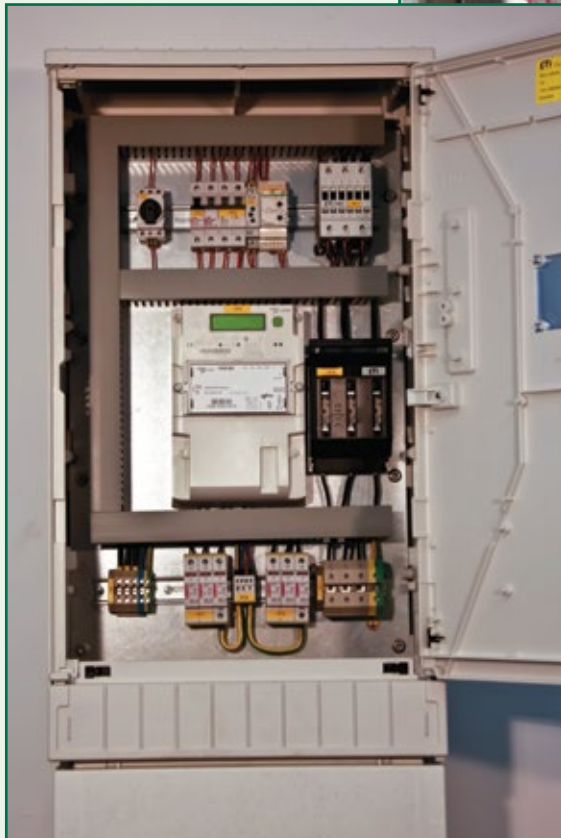
DC junction box (NH gPV fuses)



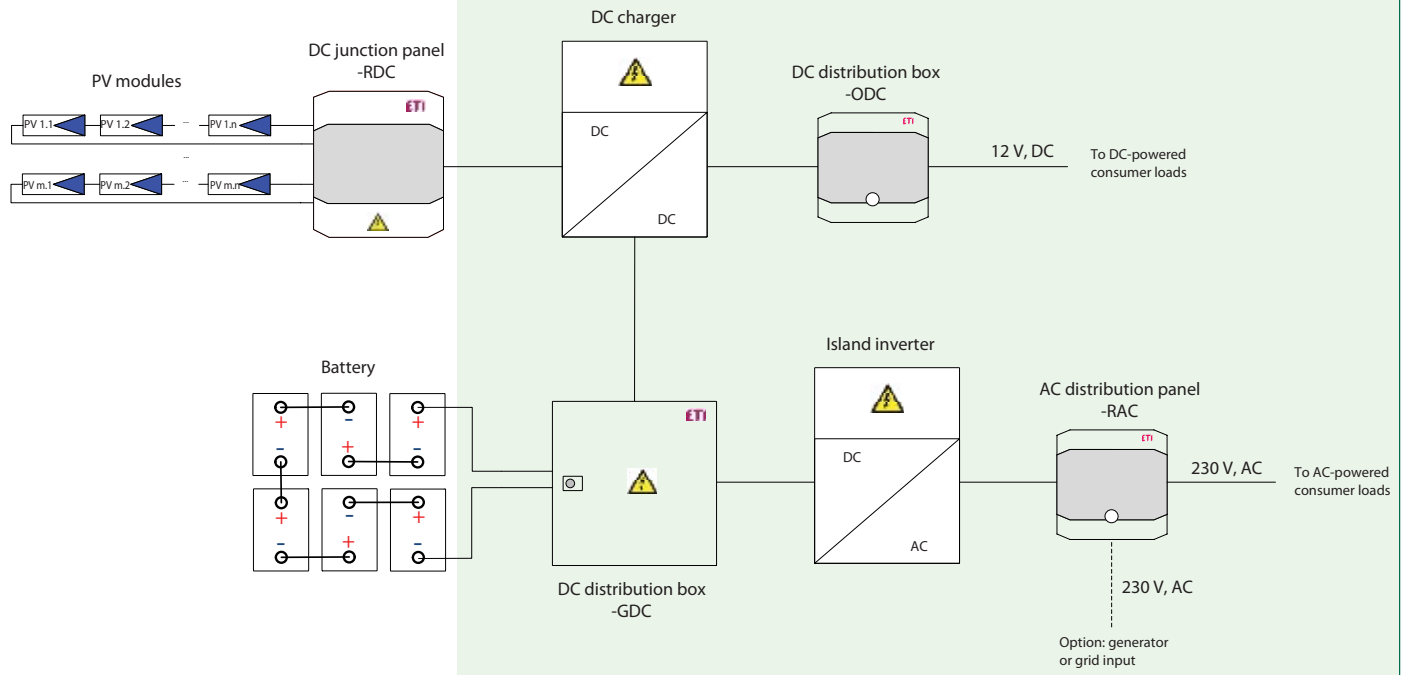
DC junction box (CH gPV fuses)



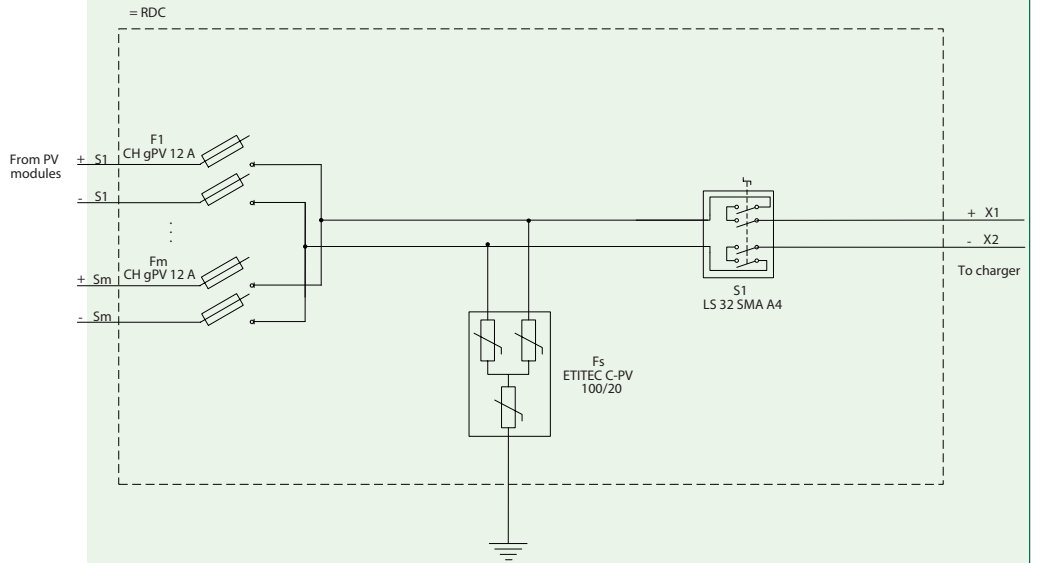
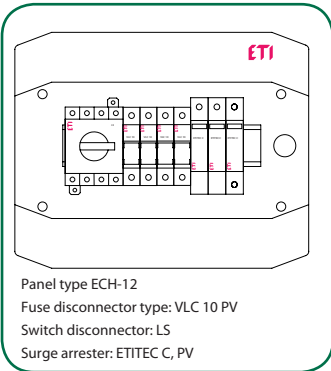
Meter distribution cabinet



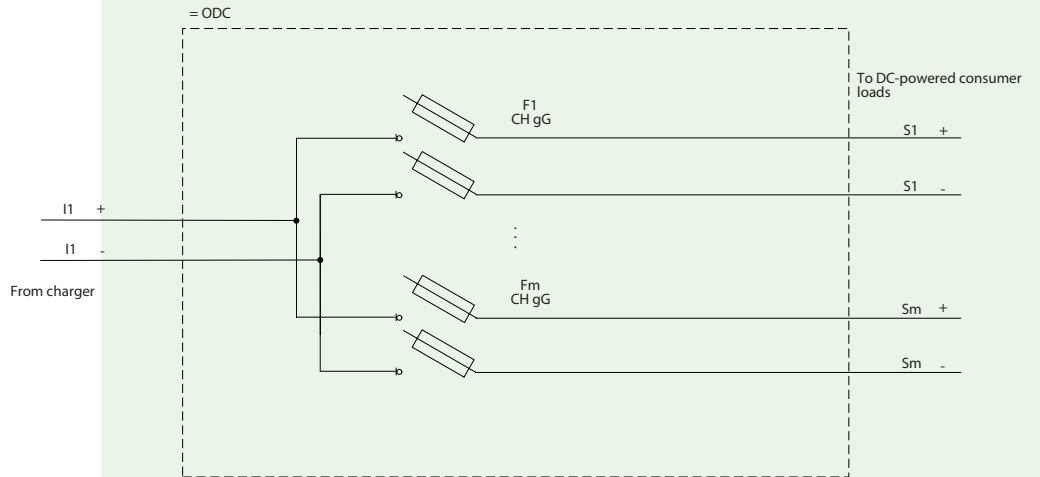
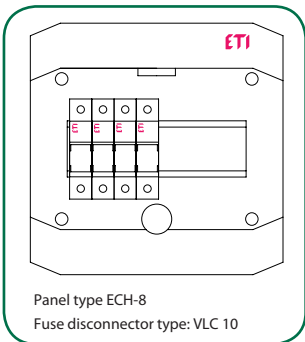
PV off-grid system protection



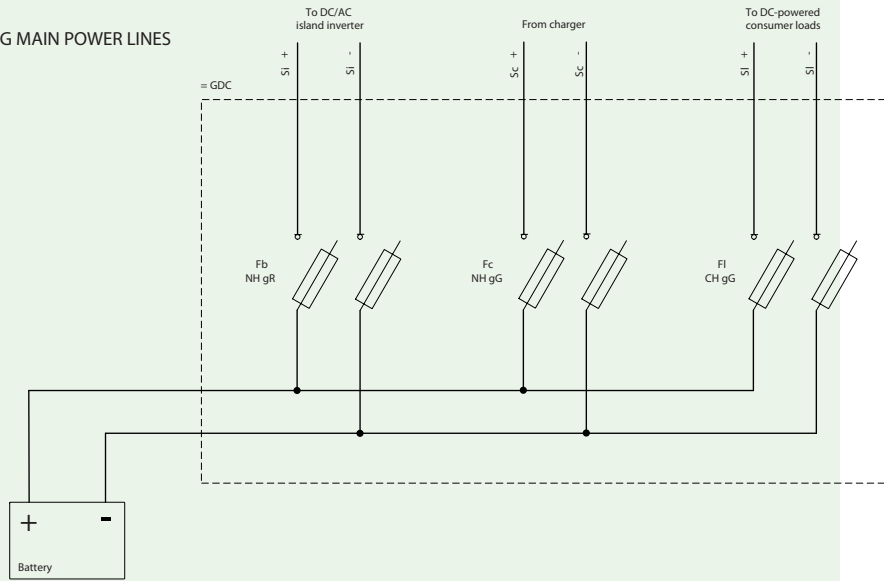
PROTECTING DC SIDE OF ISLAND PV PLANT.



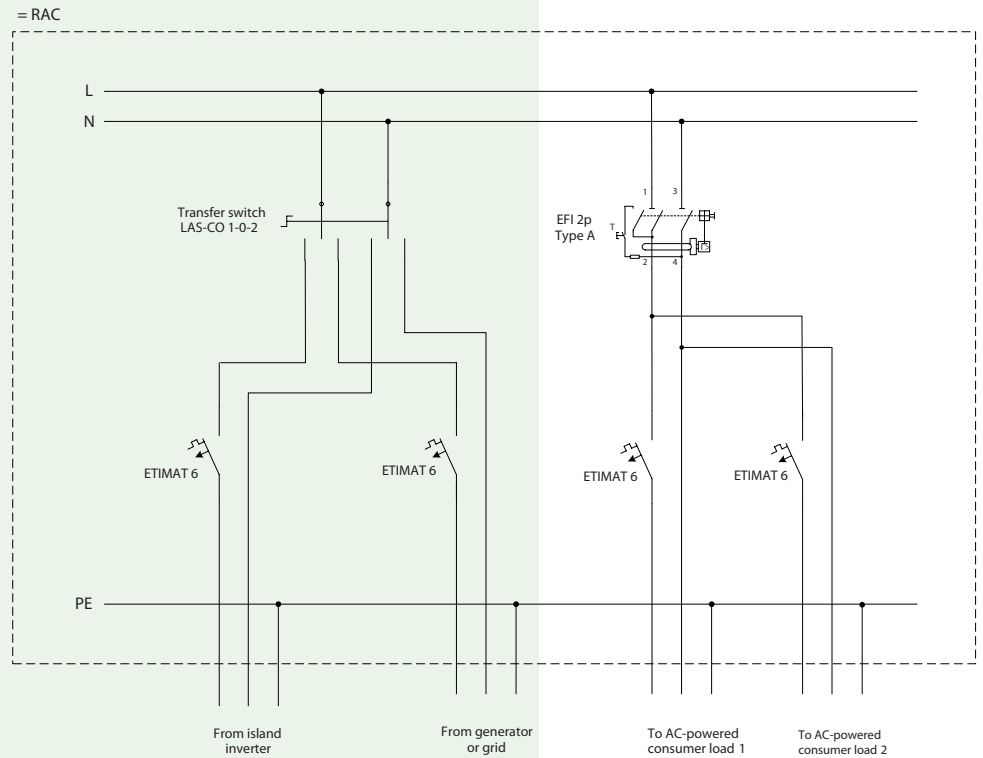
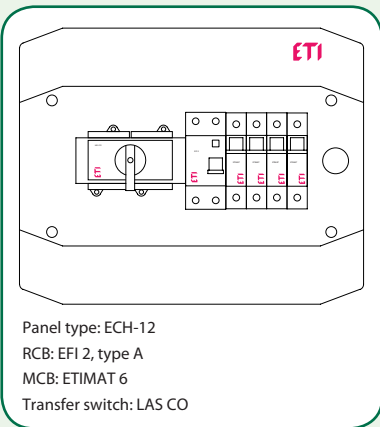
PROTECTING DC-POWERED CONSUMER LOADS DIRECTLY FROM CHARGES.



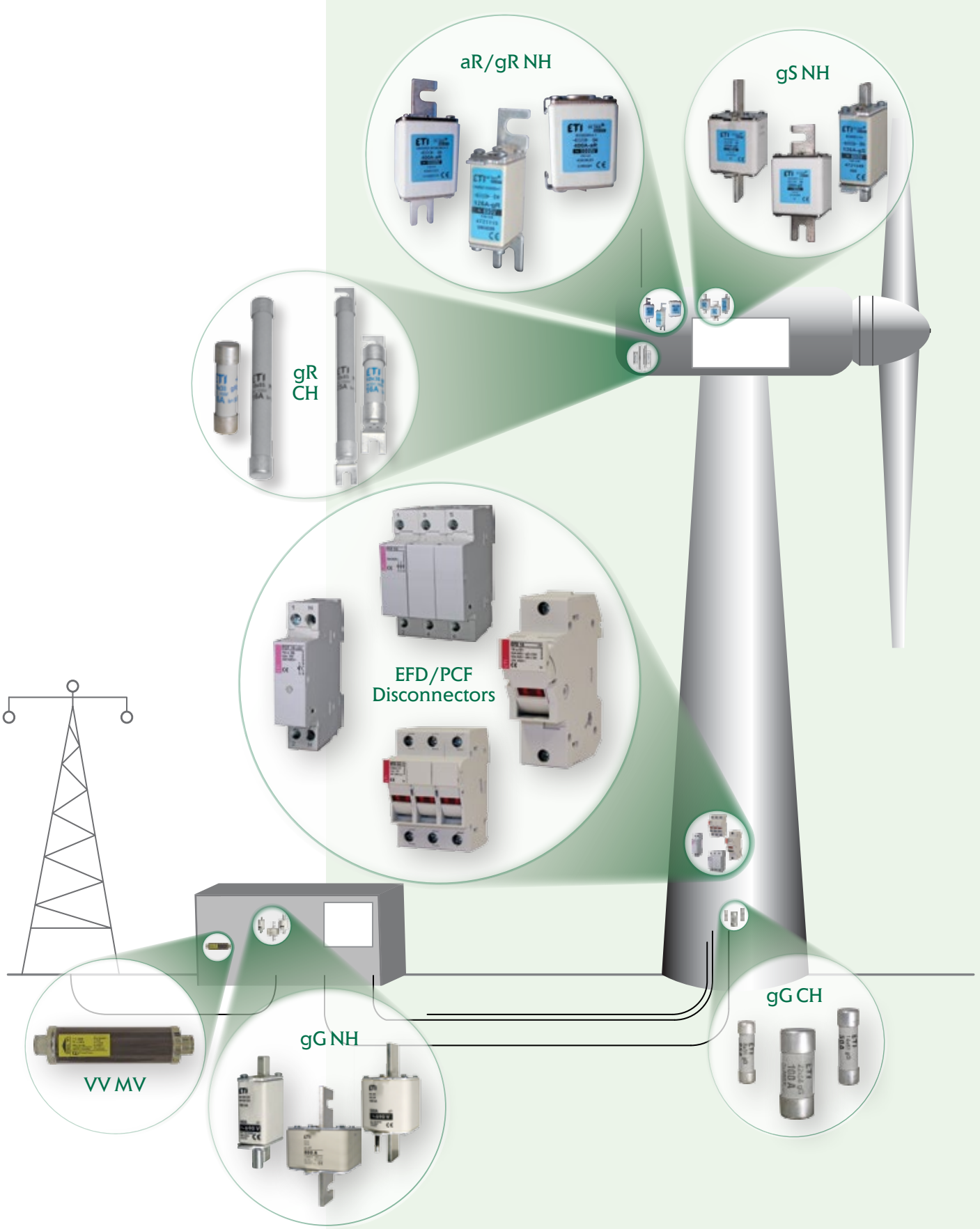
PROTECTING MAIN POWER LINES



AC DISTRIBUTION BOX



Overcurrent Protection for Wind Power Generation



index

Code No	Page
0011	
001101060	72
001101061	72
001101062	72
001101063	72
001101064	72
001101065	72
001103001	73
001103002	73
001103005	73
001103006	73
001103009	73
001103010	73
001103013	73
001103014	73
001103017	73
001103018	73
001103021	73
001103022	73
001103025	73
001103026	73
001103029	73
001103030	73
001103033	75
001103034	75
001103035	75
001103036	75
001103041	75
001103042	75
001103043	75
001103044	75
001103049	75
001103050	75
001103051	75
001103052	75
001103057	75
001103058	75
001103059	75
001103060	75
001103065	75
001103066	75
001103067	75
001103068	75
001103073	75
001103074	75
001103075	75
001103076	75
001103081	75
001103082	75
001103083	75
001103084	75
001103089	75
001103090	75
001103091	75
001103092	75
0016, 0017	
001691062	52

Code No	Page
001703005	19
0024	
002440258	58
002440259	58
002440260	58
002440261	58
002440262	58
002440263	58
002440264	58
002440265	58
002440266	58
002440267	58
002440268	58
002440269	58
002440270	58
002440271	58
002440511	54
002440512	54
002440513	54
002440514	54
002440515	56
002440516	56
002440517	56
002440518	56
002440519	54
002440520	54
002440521	54
002440522	54
002440523	56
002440524	56
002442988	62
002442989	62
002445300	61
002445301	61
002445302	61
002445303	61
002445304	61
002445305	61
002445306	61
002445307	61
002445308	61
002445309	61
002445310	61
002445311	61
002445312	61
002445313	61
002445320	61
002445321	61
002445322	61
002445323	61
002445324	61
002445325	61
002445326	61
0025	
002540201	15
002540203	15
0026	
002625065	7
002625067	7
002625068	7
002625069	7
002625070	7
002625071	7
002625072	7
002625073	7
002625075	7
002625077	7
002625078	7
002625079	7
002625080	7
002625081	7
002625085	7
002625100	7
002625101	7
002625102	7
002625103	7
002625104	7
002625105	7
002625106	7
002625107	7
002625108	7
002625109	7
002625110	7
002625111	7
002625112	7
002625113	7
002625114	7
002625115	7
002625116	7
002625117	7
002625118	7
002625119	7
002625120	7
002625121	7
002625122	7
002625123	7
002625124	7
002625125	7
002625126	7
0029	
002921101	20

Code No	Page
002625127	7
002625128	7
002625129	7
002625131	7
002625134	7
002625135	7
002625136	7
002625137	7
002625138	7
002625139	7
002625140	7
002625200	10
002625201	10
002625202	10
002625203	10
002625204	10
002625205	10
002625206	10
002625207	10
002625208	10
002625209	10
002625210	10
002625211	10
002625212	10
002625213	10
002625214	10
002625215	10
002625216	10
002625217	10
002625218	10
002625219	10
002625239	10
002625240	10
002625274	10
002625276	10
002625277	10
002625279	10
002625280	10
002625282	10
002625285	10
002625286	10
002625287	10
002625288	10
002626234	10
002637105	12
002637107	12
002637109	12
002637111	12
002637115	12
002637185	12
002637305	12
002637307	12
002637309	12
002637311	12
002637315	12

index

Code No	Page
002921111	20
002921121	20
0041	
004110232	23
004110233	23
004110234	23
004110292	23
004110293	23
004110294	23
004110295	23
004110296	23
004110297	23
004110298	23
004110299	23
004110300	21
004110301	21
004110302	21
004110303	21
004110304	21
004110305	21
004110306	21
004110307	21
004110308	21
004110310	21
004110311	21
004110312	21
004110313	21
004110314	21
004110315	21
004110316	21
004110342	23
004110343	23
004110344	23
004110346	23
004110347	23
004110348	23
004110349	23
004110371	22
004110373	22
004110374	22
004110375	22
004110376	22
004110377	22
004110378	22
004110379	22
004110381	22
004110383	22
004110384	22
004110385	22
004110386	22
004110387	22
004110388	22
004110389	22
004110391	32
004110392	32
004110393	32
004110394	32

Code No	Page
004110395	32
004110396	32
004110397	32
004110398	32
004110399	32
004110400	32
004110401	32
004110410	29
004110411	29
004110413	29
004110414	29
004110415	29
004110416	29
004110417	29
004110418	29
004110419	29
004110420	29
004110421	29
004110423	29
004110424	29
004110425	29
004110426	29
004110427	29
004110428	29
004110429	29
004110430	29
004110431	29
004110432	29
004110433	29
004110434	29
004110435	29
004110436	29
004110437	29
004110438	29
004110439	29
004110440	29
004110441	29
004110442	29
004110443	29
004110444	29
004110445	29
004110446	29
004110447	29
004110448	29
004110449	29
004110450	29
004110451	29
004110452	29
004110453	29
004110454	29
004110455	23
004110456	23
004110457	23
004110458	23
004110459	23
004110460	23
004110472	32
004110473	32

Code No	Page
004110474	32
004110475	32
004110476	32
004110477	32
004110478	32
004110479	32
004110480	32
004110481	32
004110482	32
004110483	29
004110484	29
004110485	32
004110486	32
004110487	32
004110488	32
004110489	32
004110490	32
004110491	32
004110492	32
004110493	32
004110494	32
004110495	32
004110496	32
004110497	32
004110498	32
004110560	35
004110561	35
004110562	35
004110563	35
004110564	35
004110565	35
004110565	35
004110566	35
004110566	35
004110567	35
004110567	35
004110569	35
004110570	35
004110571	35
004110585	30
004110586	30
004110591	35
004110591	35
004110592	35
004110592	35
004110593	35
004110593	35
004110594	35
004110594	35
004110595	35
004110595	35
004110596	35
004110596	35
004110597	35
004110597	35
004110598	35
004110598	35
004110602	35

Code No	Page
004110603	35
004110604	35
004110606	35
004110606	35
004110607	35
004110607	35
004110608	35
004110608	35
004110609	35
004110609	35
004110610	35
004110610	35
004110611	35
004110611	35
004110612	35
004110612	35
004110613	35
004110613	35
004110617	35
004110618	35
004110619	35
004110621	35
004110621	35
004110622	35
004110622	35
004110623	35
004110623	35
004110627	32
004110627	33
004110628	32
004110628	33
004110629	32
004110629	33
004110630	35
004110631	35
004110632	35
004110633	35
004110634	35
004110635	35
004110636	35
004110637	35
004110638	35
004110639	35
004110640	35
004110641	35
004110642	35
004110643	35
004110644	35
004110646	27
004110692	34
004110693	34
004110694	34
004110695	34
004110696	34
004110697	34
004122023	42
004122023	44
004122024	42

index

Code No	Page
004122024	44
004122025	42
004122025	44
004122033	42
004122033	44
004122035	44
004122035	46
004122036	46
004122036	48
004122037	46
004122037	48
004122038	45
004122038	47
004122039	48
004122039	50
004122040	48
004122040	50
004122041	48
004122041	50
004122042	48
004122042	50
004122060	40
004122060	42
004122061	40
004122061	42
004122062	40
004122062	42
004122063	40
004122063	42
004122064	40
004122064	42
004122065	40
004122065	42
004132017	38
004132017	40
004132019	38
004132019	40
004132023	38
004132023	40

0046

004660060	60
004660060	64
004660061	60
004660061	64
004660062	60
004660062	64
004660063	60
004660063	64
004660064	60
004660064	64
004660065	60
004660065	64
004660066	60
004660066	64
004660067	60
004660067	64
004661481	67

Code No	Page
004661483	67
004661486	67
004661490	68
004661493	68
004661496	68
004661499	68
004661853	67
004661854	67
004661855	67
004661856	67
004661857	67
004661858	67
004661859	67
004661861	67
004661862	68
004661863	68
004661864	68
004661865	68
004661866	68

0049

004941112	50
-----------	----

0067

006710335	20
006710335	23
006710340	20
006710340	23
006710341	20
006710341	23

